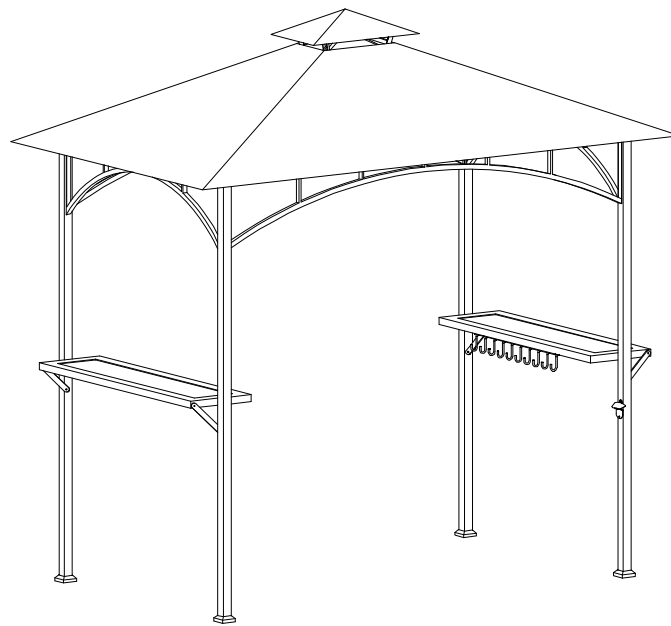




## 8'X 5' Grill Gazebo

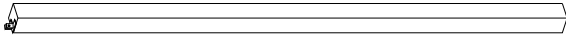
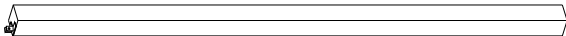
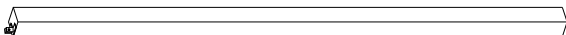
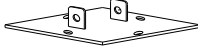


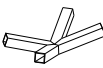


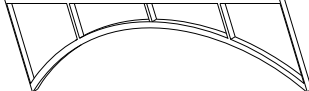

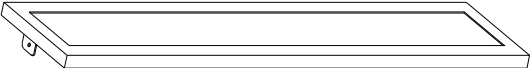
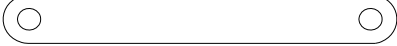




TV. No: 162455



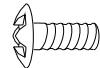

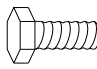
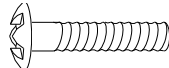
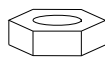
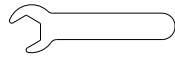
### **WARNING:**

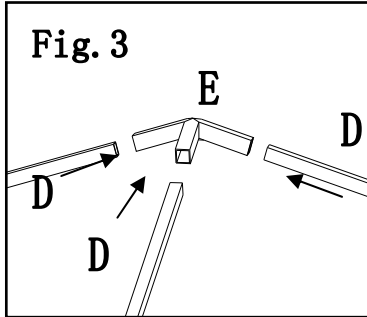
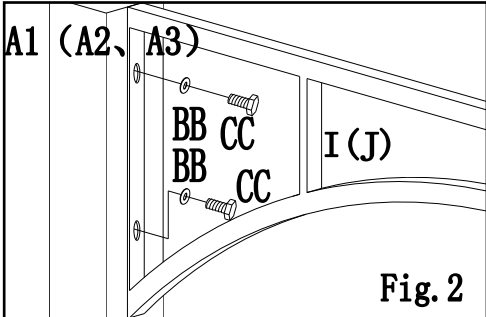
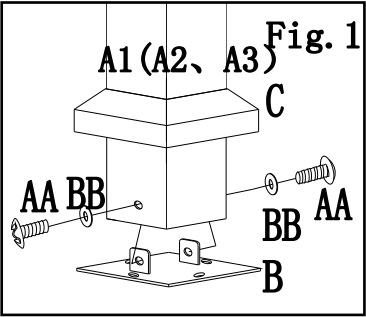
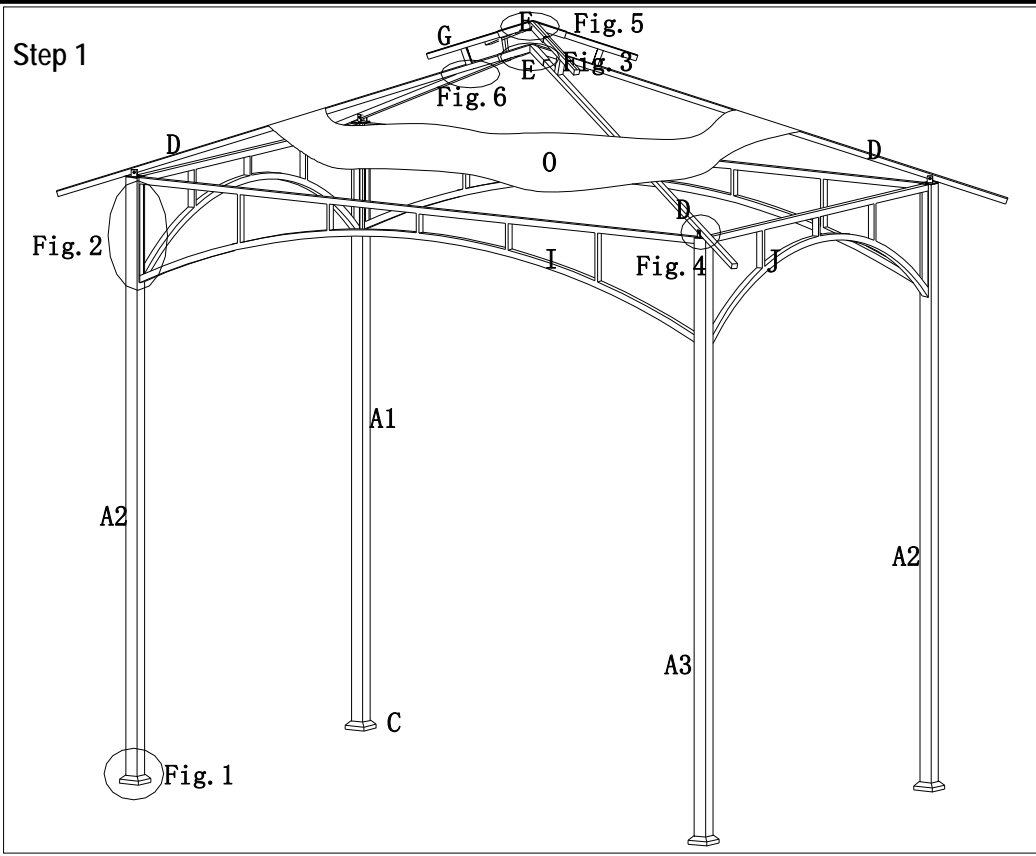
- Keep all children and pets away from assembly area. Children and pets should be supervised when they are in the area of the Gazebo construction.
- Keep assembly area at least 6 feet from any obstruction such as a fence, garage, house, overhanging branches, laundry line, or electrical wire.
- Some parts may contain sharp edges. When assembling and using this product, basic safety precautions should always be followed to reduce the risk of personal injury and damage to the product. Please read all instructions before assembly and use.
- Check all bolts for tightness before use, and periodically check and tighten bolts as necessary.
- Gazebo is designed for wind speeds of up to 30 miles per hour. Customer should disassemble the gazebos when there is a chance of wind speeds higher than 30 miles per hour.
- Please take down the gazebo during strong wind. The manufacturer or retailer is not liable for any loss of the product or other items due to the failure to take down the gazebo during strong wind.

# Parts List

Post 1	A1	1	
Post 2	A2	2	
Post 3	A3	1	
Base	B	4	
Base cover	C	4	
Beam	D	4	
Center connector	E	2	
Small top pole	G	4	
Long screen	I	2	
Short screen	J	2	
Glass side bar	K1	1	
Glass side bar	K2	1	
Support bar	L	4	
Hook rack	M	1	
Bottle opener (Pre-assembly)	N	1	
Big canopy	O	1	
Small canopy	P	1	

# Hardware Pack 1

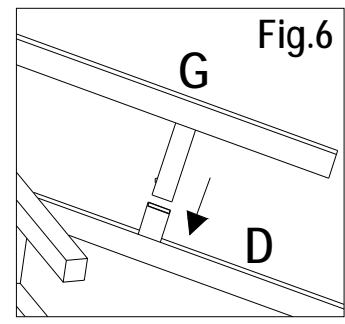
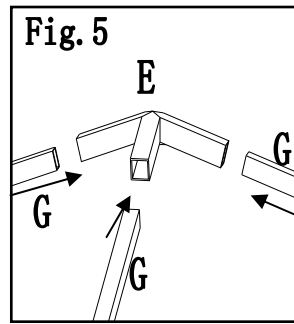
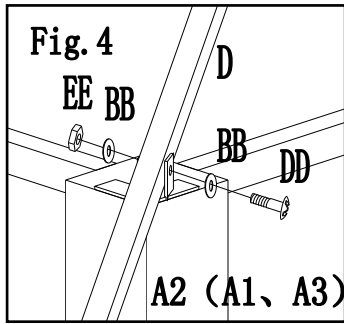
AA	M6X15 Bolt	8 PCS	
BB	M6 Flat washer	32 PCS	
CC	M6X20 Bolt	16 PCS	
DD	M6X35 Bolt	4 PCS	
EE	M6 Nut	4 PCS	
Z	M6 Wrench	1 PC	



**Fig.1:** Attach base cover (C) to posts (A1,A2,A3) tighten base (B) to the posts (A1,A2,A3) by using bolt ( AA ) and flat washer(BB).

**Fig.2:** Secure the long screen (I) and short screen (J) to the posts (A1, A2 and A3) by using bolts (CC) and flat washers (BB).

**Fig.3:** Insert beam (D) into center connector (E).

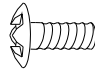

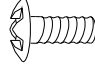




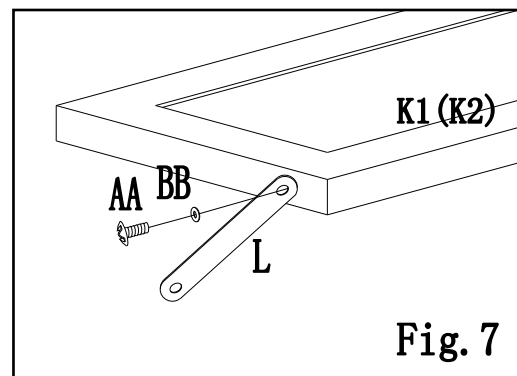
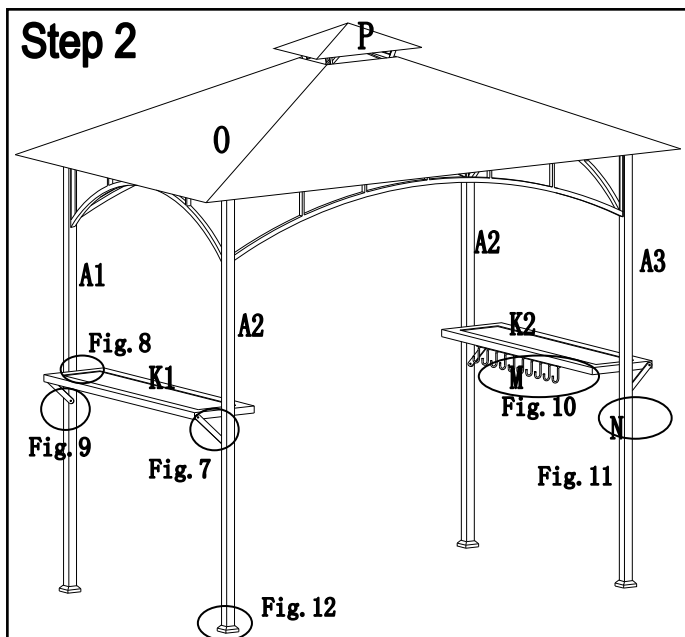
**Fig.4:** Fix beam (D) to posts (A1, A2 and A3) with bolt (DD) and M6 flat washer(BB).

**Fig.5:** Insert small top pole (G) into center connector (E).

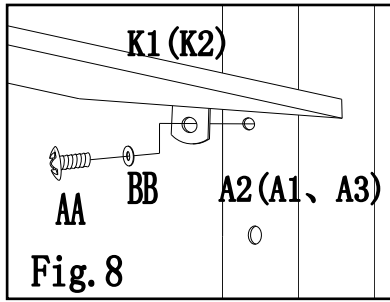
**Fig.6:** Put big canopy (O) onto the big top, do not fully spread, insert small top pole (G) to beam (D).

## Hardware Pack 2

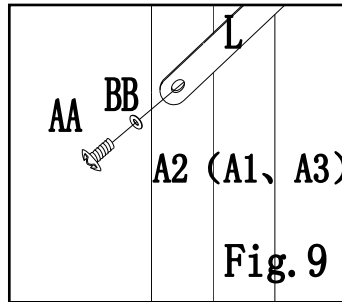
AA	M6X15 Bolt	15 PCS	
BB	M6 Flat Washer	15 PCS	
HH	M6X15 Bolt	2 PCS	
GG	M6 Flat washer	2 PCS	
FF	ϕ5X160MM Stake	8PCS	



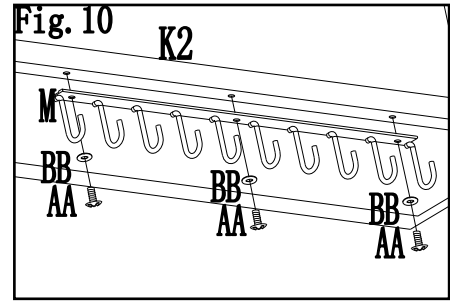
**Fig.7:** Put small canopy (P), fully spread big canopy (O), using the hook-loop to fasten it to the frame; Fix support bar (L) to glass side bar (K1) and (K2) by using bolt (AA) and flat washer (BB).



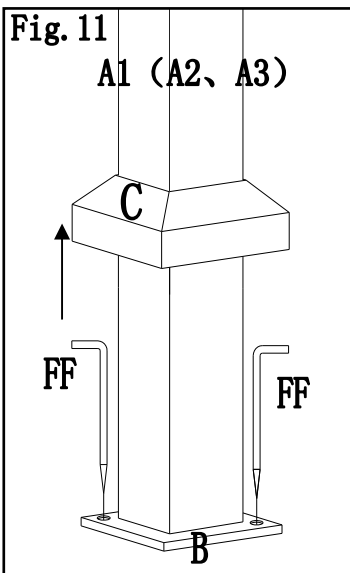
**Fig.8:** Fix glass side bar (K2) to post (A2 and A1) by using bolt (AA) and flat washer (BB), also fix glass side bar (K1) to post (A2 and A3) by using bolt (AA) and flat washer (BB).



**Fig.9:** Attach another end of support bar (K) to posts (A3, A2 and A1) by using bolt (AA) and flat washer (BB).



**Fig.10:** Attach hook rack (M) to glass side bar (K2) by using bolt (AA) and flat washer (BB).



**Fig.11:** Lift up the base cover(C), secure the completely assembled gazebo into the ground by using stakes (FF).