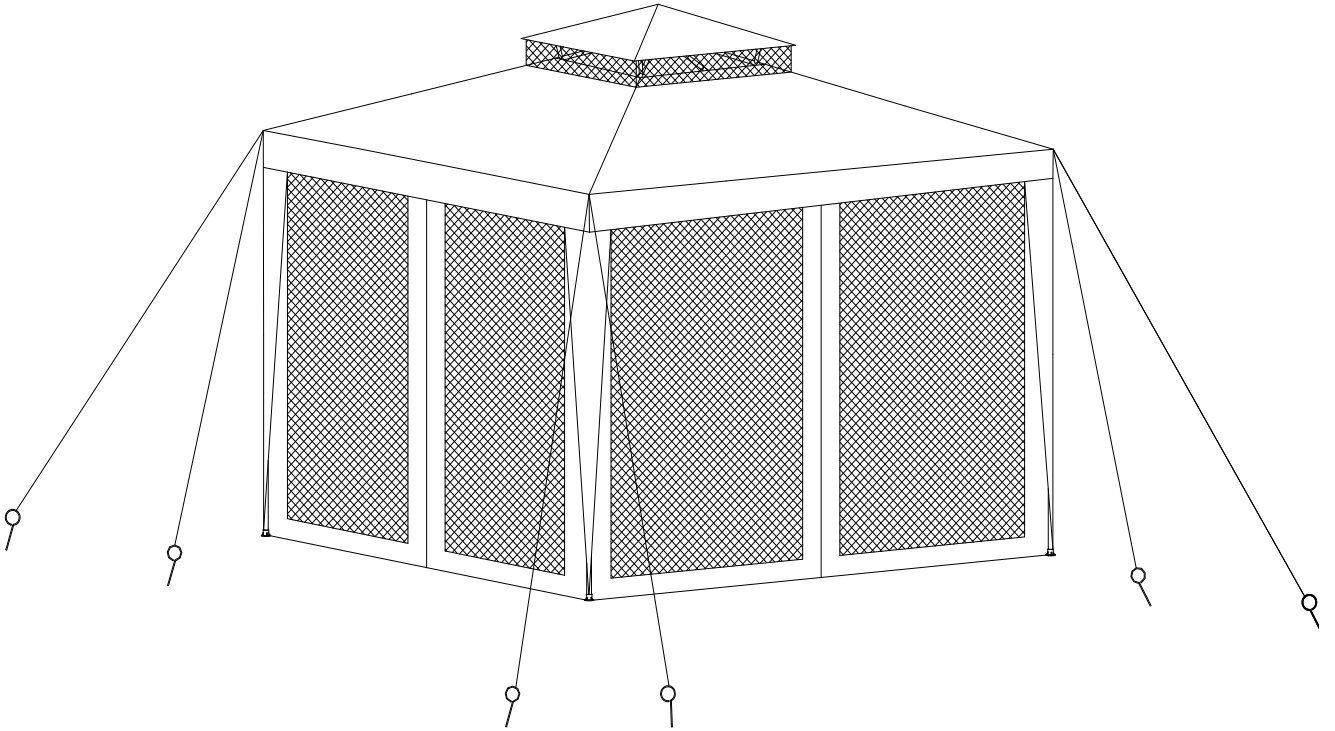


# 10' X 10' Weist Gazebo



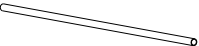
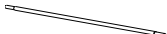

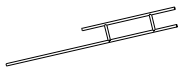





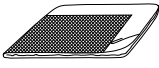


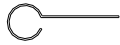

## TV NO.:187018

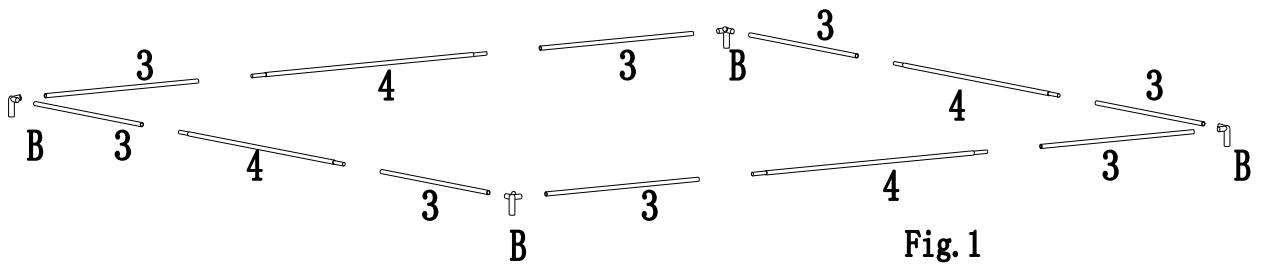


### **WARNING:**

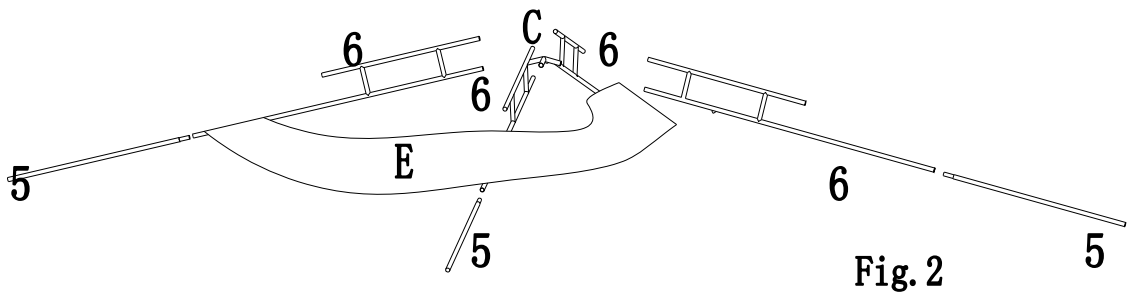
- **Keep all children and pets away from assembly area. Children and pets should be supervised when they are in the area of the Gazebo construction.**
- **Keep assembly area at least 6 feet from any obstruction such as a fence, garage, house, overhanging branches, laundry line, or electrical wires.**
- **Some parts may contain sharp edges. When assembling and using this product, basic safety precautions should always be followed to reduce the risk of personal injury and damage to the product. Please read all instructions before assembly and use**
- **Check all bolts for tightness before use, and periodically check and tighten bolts as necessary.**
- **Gazebo is designed for wind speeds of up to 30 miles per hour. Customer should disassemble the gazebos when there is a chance of wind speeds higher than 30 miles per hour.**
- **Please take down the gazebo during strong wind. The manufacturer or retailer is not liable for any loss of the product or other items due to the failure to take down the gazebo during strong wind.**

## Parts List

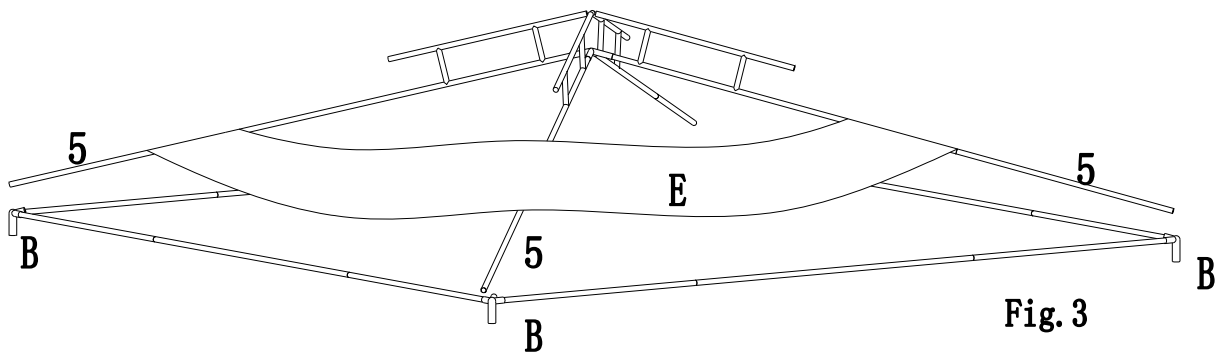
1	Pole1	4	
2	Pole2	4	
3	Long Support Pole3	8	
4	Short Support Pole4	4	
5	Pole5	4	
6	Pole6	4	
A	Base plate	4	
B	Corner connector	4	
C	Top connector	1	
D	Small Canopy	1	
E	Big Canopy	1	
F	Mosquito netting	1	
AA	Ø 4x180mm Stake	8PCS	
BB	Rope	8PCS	
CC	Rope peg	8PCS	
DD	Plastic loop	40	



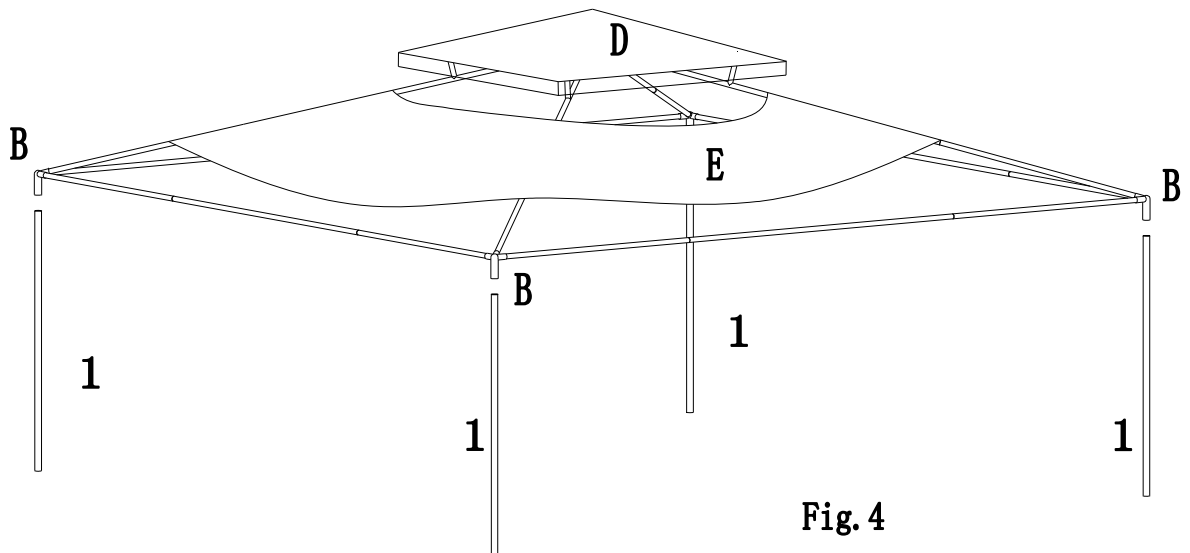
**Fig.1: Insert the Short Support Pole 4 into Long Support Pole 3, then insert the other end of Long Support Pole 3 into the Corner Connector B as above drawing.**



**Fig.2: Insert the Pole 5 into Pole 6 (Note: Before last Pole 5 inserted into Pole 6, put Big Canopy E onto the Big Top, do not fully spread). Then insert Pole 6 into Top Connector C.**

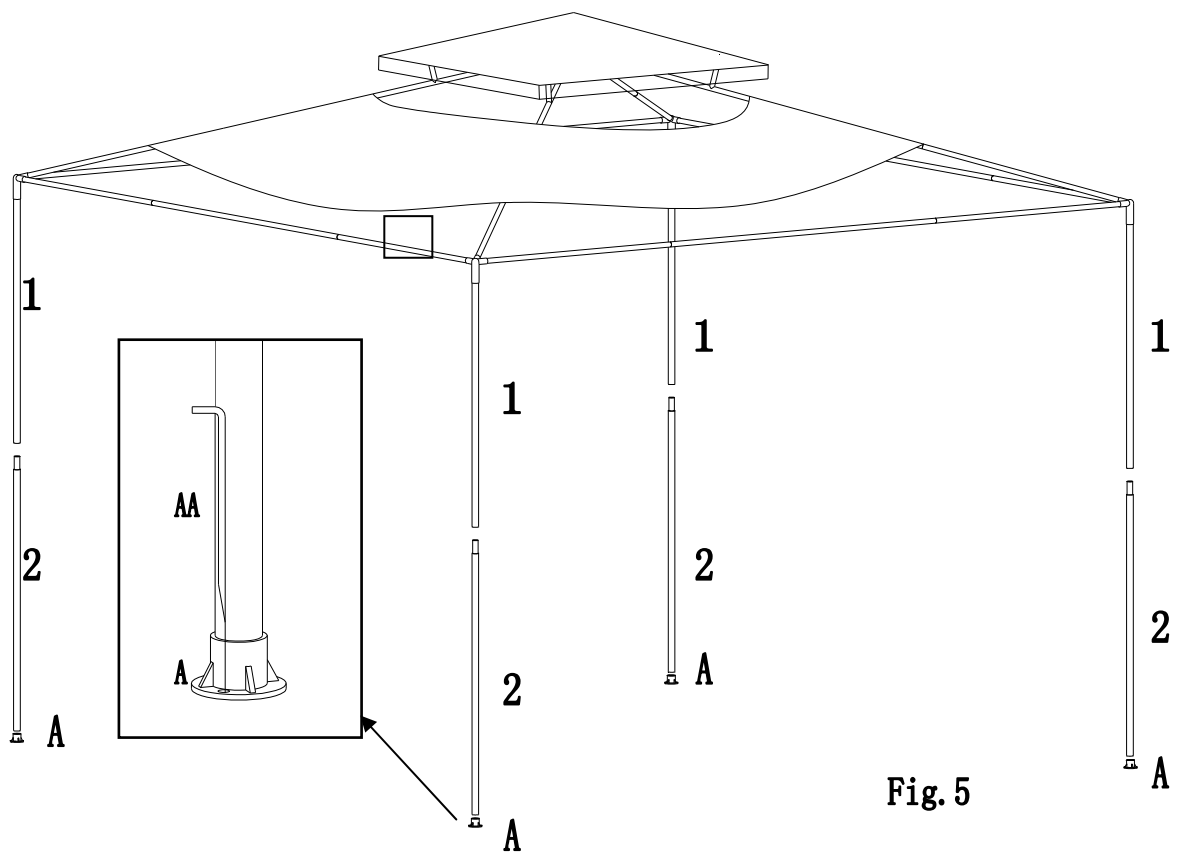


**Fig.3: Insert pole 5 into the corner connector B.**



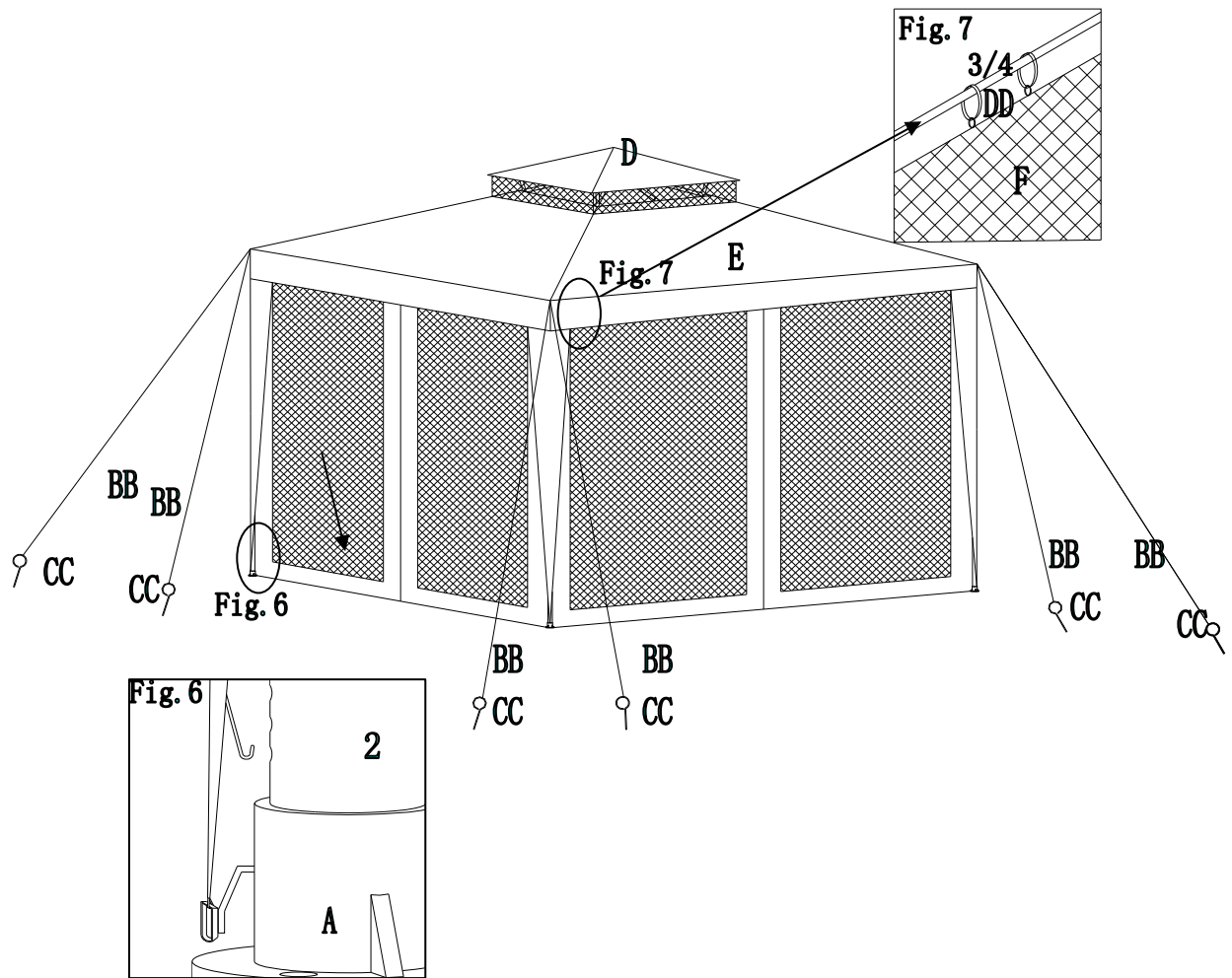
**Fig. 4**

**Fig.4: Put Small Canopy D onto Small Top. Then insert the spring clip end of Pole 1 into the Corner Connector B. Please make sure the Pole 1 is completely inserted into Connector B.**



**Fig. 5**

**Fig.5: Insert the spring clip end of Pole 2 into Pole 1, and then insert Pole 2 into Base Plate A, then fix gazebo by using Stake AA through Base Plate A.**



**Fig.6: Fully Spread Big Canopy E on the top frame. Hang the Big canopy metal hook into hole of Pole 2 first, and then hang the plastic hook into Base plate A.**

**Fig 7: Tie Rope BB onto four corner of Big Canopy, and then use Rope Peg CC to secure it to the ground. Finally, hang Mosquito Netting to Pole (3&4) with Plastic loop DD.**