

ASSEMBLY INSTRUCTIONS

ATTENTION: THIS PRODUCT IS NOT FOR COMMERCIAL USE
INTENDED FOR RESIDENTIAL USE ONLY.

RTS493C



- ⚠ Use the correct bolts as indicated. Do not tighten any of the bolts until the swing is completely assembled.
- ⚠ Do not discard any of the packaging until you have checked that you have all of the parts and fittings required.
- ⚠ Keep children away during assembly. This item contains small parts that can be swallowed by children. Children should always be under direct adult supervision while using this product.
- ⚠ Retain these assembly instructions for future reference.
- ⚠ Quote the following FQC NO. when contacting the service center.

SERVICE CENTER TOLL FREE NO.

TEL: 1-877-539-7436

FAX: 1-877-539-7439

PAGE 1 OF 5

COURTYARD CREATIONS INC.

A. Read instructions thoroughly. Acquaint yourself with the inventory of parts and the accompanying drawings to ensure safe and proper assembly.

B. You will need the following tools:


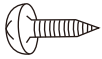








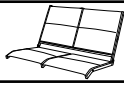




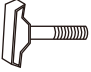
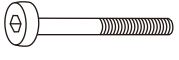

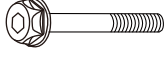

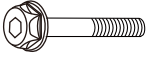

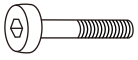


- Phillips Screwdriver 

- Nut Wrench (See Part #24) 

- Hex. Key Wrench (See Part #22 and #23) 

C. Lay out all parts and identify using the table below.

PARTS LIST

PART NO.	MATERIAL CODE	PART	Q'TY				
1	RTS493C-CS09-8	 TOP CROSS BEAM W/ADJUSTABLE TEETH	1	13	17C17A1306001YX	 SCREW ST4.2*16	4
2	62RUS4040N101	 FRONT UPRIGHT SUPPORT	2	14	17FA08060601-YX	 WASHER d8.5*D17*1.6	10
3	62RUS4040N201	 REAR UPRIGHT SUPPORT	2	15	17FA05050401-YX	 WASHER d6.5*D16*1.2	18
4	62RUS423EI101	 LATERAL CROSS BRACE	2	16	18000C06001	 PLASTIC NUT M8*P1.25	4
5	62RLS409AH102	 REAR CROSS BRACE	1	17	18000C23001	 PLASTIC NUT M6*P1.0	8
6	RTS493C-CS11-1	 SEAT ASSEMBLY	1	18	17GA06081101	 SUSPENSION SPRING	2
7	RTS493C-CS01-1	 SWING ARM	2	19	18000626028	 CANOPY/FRAME CONNECTOR	2
8	62RTS493CM101	 SWING ARM TUBE	4	20	18000018001	 PLASTIC SCREW	2
9	17C01A0844061YX	 BOLT M8*95	4	21	28000221044	 LEG CAP	4
10	17C40A0719001YX	 BOLT M6*55	6	22	17KAA0101----Y4	 HEX KEY WRENCH 4MM	1
11	17C40A0716001YX	 BOLT M6*45	4	23	17KAA0201----Y4	 HEX KEY WRENCH 6MM	1
12	17C01A0816071YX	 BOLT M8*45	2	24	17KAB1201----Y4	 NUT WRENCH 13&17MM	1
				25	RTS493C-CS18-1	 CANOPY	1

Note:
When fastening with bolts and nuts, always use a washer (#14 and #15) between the tube and the bolt and the tube and the nut.

Step 1:
Fasten the front and rear upright support (#2 and #3) at the top, by using bolts (#9), washers (#14), and plastic nuts (#16). Do the same procedure for both sides. Do not fully tighten the plastic nuts and bolts yet. See Fig. A – Step 1.

Step 2:
At both ends, insert the assembled upright supports (#2 and #3) into the top cross beam w/adjustable teeth (#1). Tighten all plastic nuts and bolts now. See Fig. A – Step 2.

Step 3:
Fasten the lateral cross braces (#4) to the upright supports (#2 and #3) by using bolts (#10), washers (#15), and plastic nuts (#17). Do the same procedure for both sides. See Fig. A – Step 3.

Step 4:
Fasten the rear cross brace (#5) to the rear upright supports (#3) by using bolts (#10), washers (#15), and plastic nuts (#17). Insert the leg caps (#21) into all of the base feet. Tighten all of the plastic nuts and bolts. See Fig. A – Step 4 and Step 5.

Step 5:
Open the seat assembly (#6) and fasten a swing arm tube (#8) and a swing arm (#7) to the seat back by using bolt (#11), and washers (#15). Do the same procedure for both sides. Fasten another swing arm tube (#8) to the swing arm (#7) at the front bend by using bolt (#11), washers (#15), and plastic nut (#17). Do the same procedure for both sides. Fasten the other end of the swing arm (#7) to the front of the seat assembly (#6) by using bolt (#12), and washers (#14). Do the same procedure for both sides. See Fig. B.

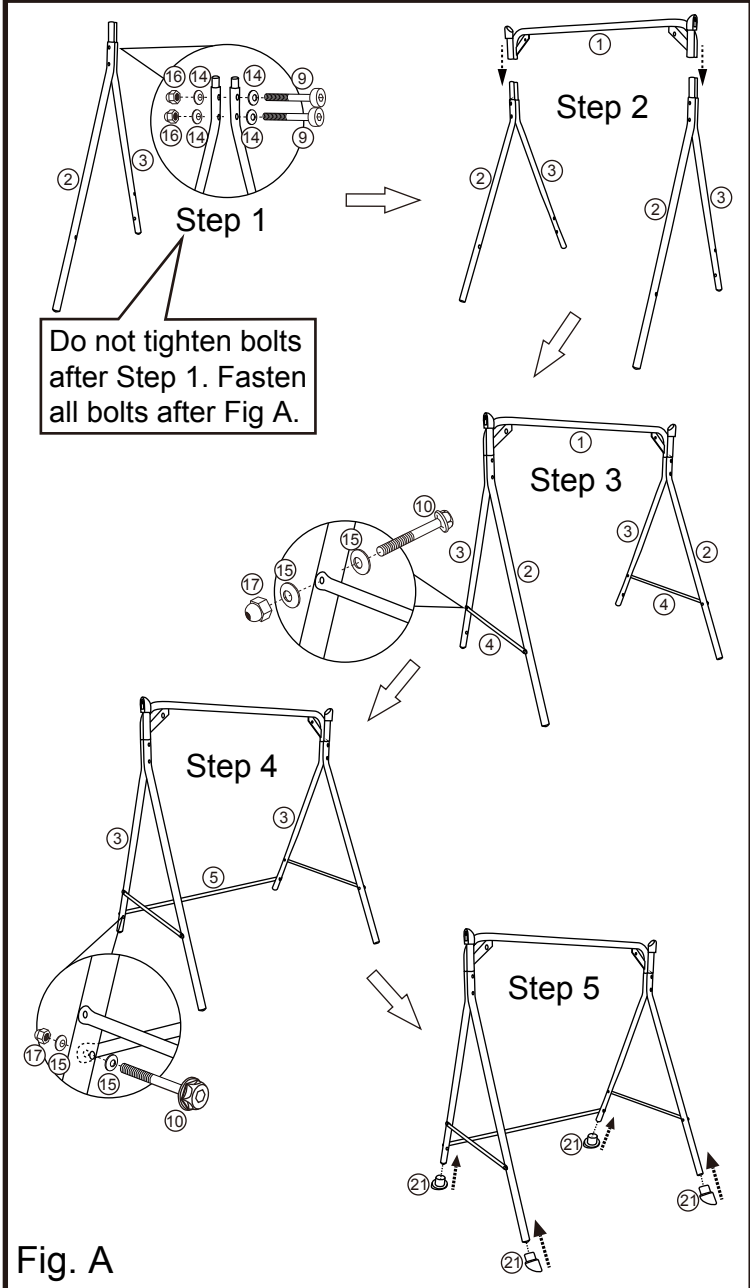


Fig. A

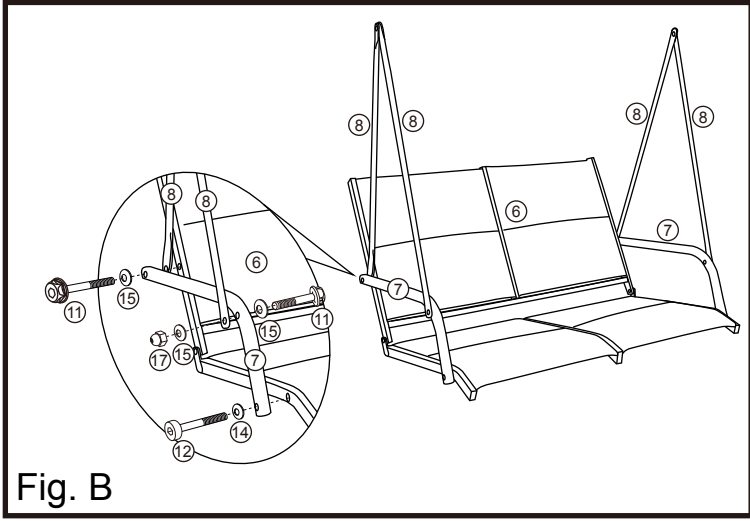


Fig. B

Step 6:
 Hook the suspension springs (#18) into the top of both swing arm tubes (#8). Do the same procedure for both sides. See Fig. C.

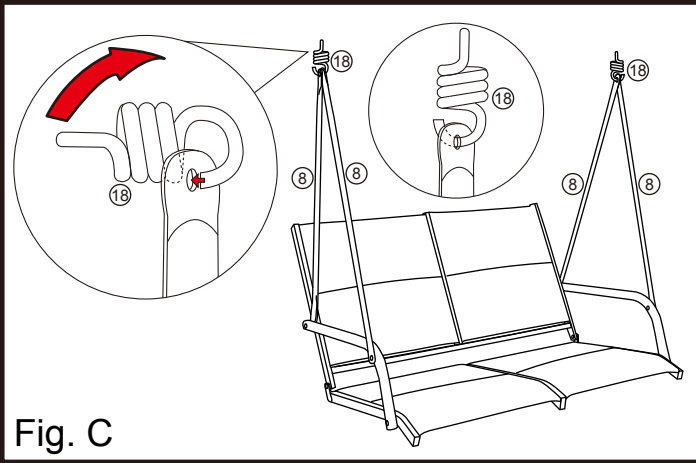


Fig. C

Step 7:
 Hang the opposite ends of the suspension springs (#18) into the holes located on the angled braces of the top cross beam w/adjustable teeth (#1). Do the same procedure for both sides. See Fig. D.

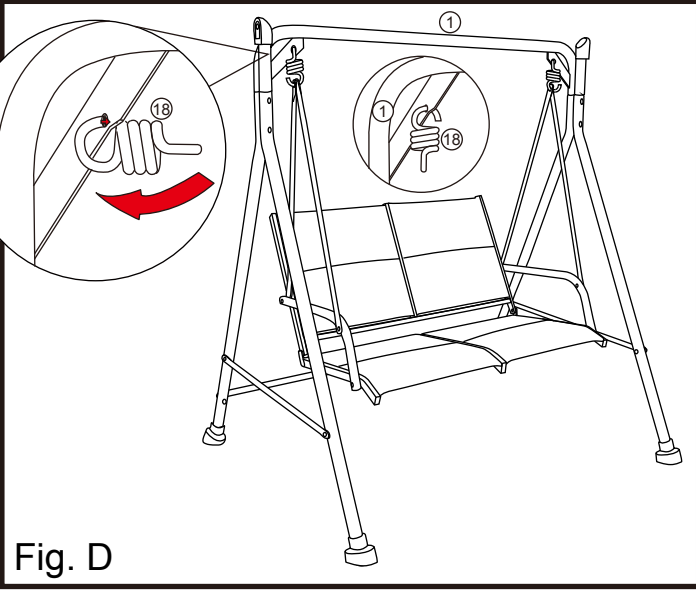


Fig. D

Warning:
 Make sure that both ends of the suspension springs (#18) go completely through the holes on the top cross beam w/adjustable teeth (#1) and the swing arm tubes (#8).

Step 8:
 Slide the canopy/frame connectors (#19) into the canopy (#25). Fasten them together by using screws (#13) in the pre-drilled holes. Make sure that the teeth of the canopy/frame connectors are facing toward the inside of the frame. See Fig. E - Step 1 and Step 2.

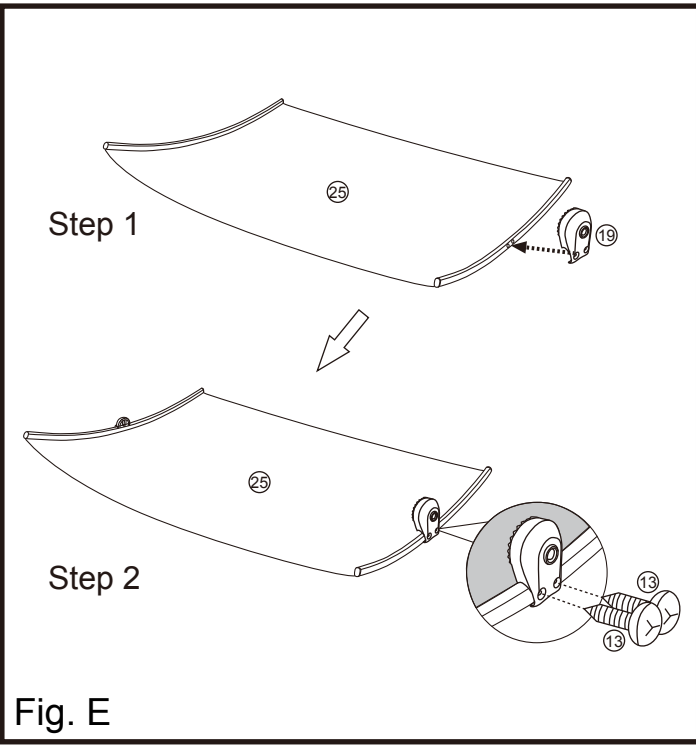


Fig. E

Step 9:
 Attach and fasten the canopy assembly onto the adjustable teeth on top cross beam w/adjustable teeth (#1) with plastic screws (#20) to each side of canopy/frame connectors (#19). See Fig. F and Fig. G.

Step 10:
 To assure stability, double check that all of the bolts have been completely tightened.

Note:
 To avoid danger of suffocation, keep plastic bags or small parts away from babies and children.

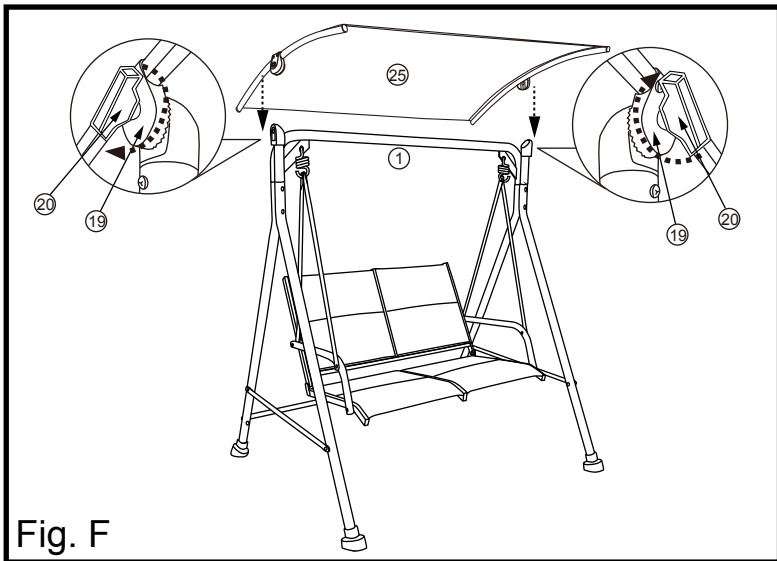


Fig. F

Cleaning and Maintenance

- Wash frame and fabric parts with mild soap and water, rinse thoroughly, and dry completely. Do not use bleach, acid, or other solvents on the frame or fabric parts.
- The canopy may be surface washed with mild soap and water if necessary. Commercial foaming upholstery cleaner may also be used. Rinse well and hang to dry. Do not machine wash or dry.
- We recommend the use of furniture covers to protect your swing when not in use.
- Inspect and tighten all bolts and fasteners on a regular basis to ensure the proper performance and safety of your swing.
- In order to prolong the life and beauty of your swing, we recommend that it be stored in a dry and protected area during off season periods.

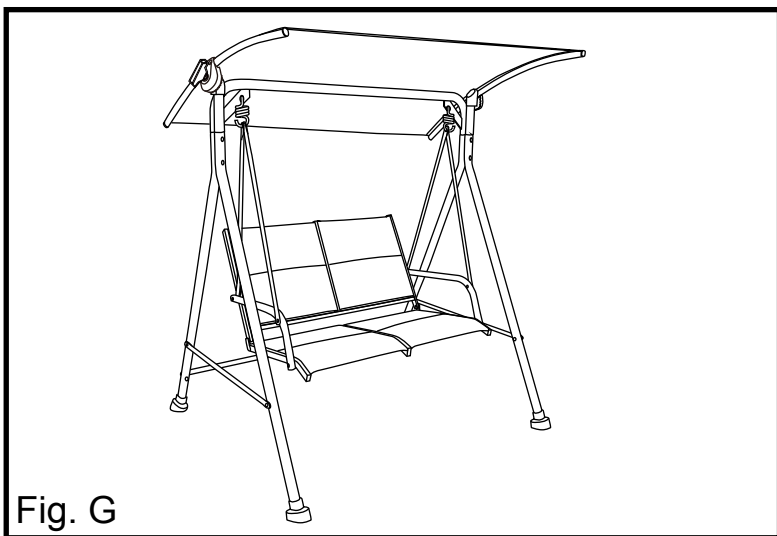


Fig. G

Warranty

- This product is covered by Courtyard Creations Inc.'s one-year limited warranty.
- Proof of purchase (dated register receipt) is required for warranty claims.
- It remains the customer's responsibility for freight and packing charges to and from the service center.

Special Warnings

1. The user of this swing should always inspect it before each use.
2. It is essential to place this swing on level ground and not less than 6 feet from any obstruction; such as fences, garages, houses, overhanging branches, laundry lines, or electrical wires.
3. Check the tightness of all of the nuts and bolts on a regular basis.
4. Make sure that the suspension springs are properly secured before each use.
5. Always remove the canopy in heavy wind conditions; otherwise the canopy may tip over and cause damage to its parts.
6. The manufacturer will not accept responsibility for unauthorized repairs or modifications to the swing or its parts.
7. Oil all of the metal parts that move regularly.
8. Weight limit is 500 lbs.

STOP!
 Missing A Part?
 No Need To Go Back To
 The Store

The store where you made your purchase does not stock parts for this item. If you need parts, whether they are missing or damaged, Call Toll Free:

TEL: 1-877-539-7436
 FAX: 1-877-539-7439
 Call us between 9:00 AM and 4:30 PM Eastern Time Monday through Friday
 For further assistance, please visit us at service.cci@polywares.com

READ THESE INSTRUCTIONS COMPLETELY BEFORE STARTING ASSEMBLY

- ★ SEPARATE AND IDENTIFY ALL OF THE PARTS, MAKING SURE THAT YOU HAVE ALL OF THE PARTS LISTED.
- ★ IF YOU DO NOT LOCATE ALL OF THE PARTS LISTED, INSPECT THE PACKING MATERIAL FOR SMALL PARTS THAT MAY HAVE BECOME SEPARATED DURING SHIPMENT.
- ★ IF YOU EXPERIENCE ANY DIFFICULTY DURING ASSEMBLY OR IF ANY PARTS ARE MISSING OR DAMAGED, CALL THE HELP LINE AT 1-877-539-7436 BEFORE RETURNING THIS ITEM TO THE STORE.
- ★ PROVIDE THE FOLLOWING INFORMATION WHEN CALLING:
 1-MODEL NUMBER OF THE PRODUCT.
 2-PART NUMBER AND MATERIAL CODE OF THE PART FROM THE PARTS LIST.
- ★ MOST PROBLEMS CAN BE RESOLVED WITHOUT RETURNING THIS PRODUCT TO THE RETAILER.