

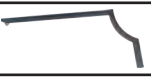




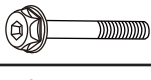
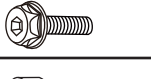
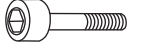


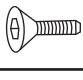
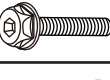









ASSEMBLY INSTRUCTIONS

**ATTENTION: THIS PRODUCT IS NOT FOR COMMERCIAL USE
INTENDED FOR RESIDENTIAL USE ONLY.**

RTS538Z

PARTS LIST

PART NO.	MATERIAL CODE	PART	Q'TY
1	RTS538Z-CS03-1	BACK ASSEMBLY 	1
2	RTS538Z-CS02-1	SEAT ASSEMBLY 	1
3	RTS538Z-CS01-2	LEFT ARM 	1
4	RTS538Z-CS01-3	RIGHT ARM 	1
5	RTS538C-CS01	SEAT POST 	1
6	18000744004	DECORATIVE PLASTIC COVER 	1
7	RTS538Z-CS12-1	BASE ASSEMBLY 	1
8	17C40A0722001YX	BOLT M6*65 	2
9	17C40A0705001YX	BOLT M6*15 	4
10	17C03A0816041YX	BOLT M8*45 	4

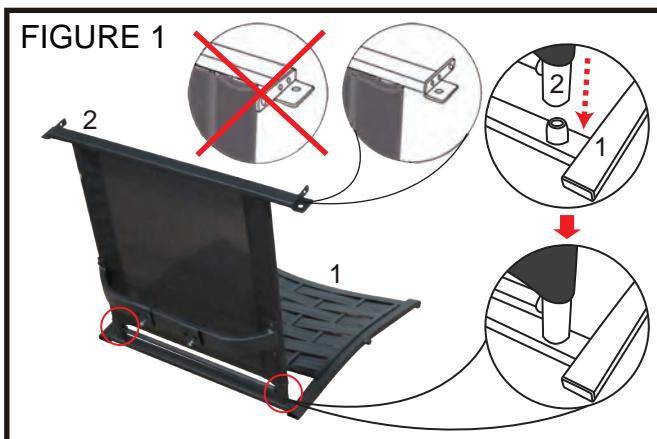
11	17C02A0755131YX	BOLT M6*14 	2
12	17C40A0712001YX	BOLT M6*35 	1
13	17FA08060601-YX	WASHER d8.5*D17*1.6 	8
14	17FA05100701-YX	WASHER d6.5*D30*2.0 	1
15	17EA1203-----23	WASHER 	2
16	17D03A040401-YX	JAM NUT M8*1.25 	4
17	17KAA0101----Y4	HEX. KEY WRENCH 4MM 	1
18	17KAA0201----Y4	HEX. KEY WRENCH 6MM 	1
19	17KAB1101----Y4	NUT WRENCH 10&13MM 	1
20	61R538ZX00001BA	BACK CUSHION 	1
21	61R538ZY00001BA	SEAT CUSHION 	1

Attention:

Make sure that each bolt needed for all steps matches the corresponding figure to ensure proper assembly.

Step 1:

Place the back assembly (#1) onto a non-abrasive surface, such as a carpet. Insert the seat assembly (#2) into the back assembly (#1). See Figure 1.



- ⚠ Use the correct bolts as indicated. Do not tighten any of the bolts until the swivel rocker chair is completely assembled.
- ⚠ Do not discard any of the packaging until you have checked that you have all of the parts and fittings required.
- ⚠ Keep children away during assembly. This item contains small parts that can be swallowed by children. Children should always be under direct adult supervision while using this product.
- ⚠ Retain these assembly instructions for future reference.
- ⚠ Quote the following FQC NO. when contacting the service center.

SERVICE CENTER TOLL FREE NO.

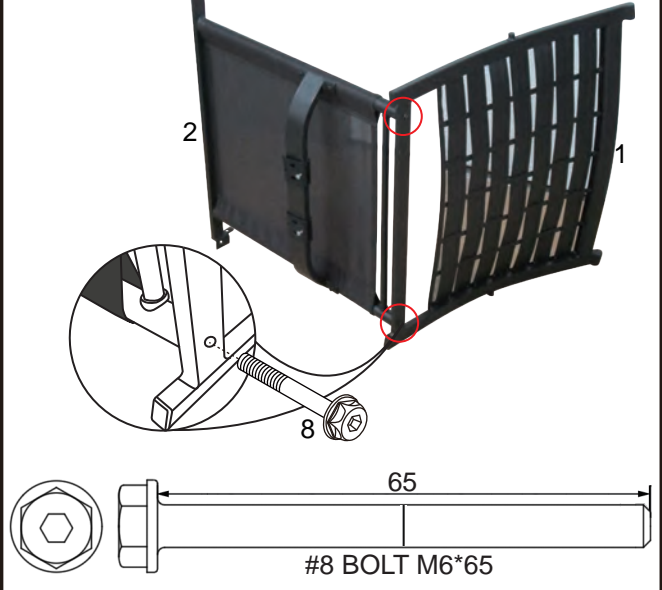
TEL: 1-877-539-7436

FAX: 1-877-539-7439

PAGE 1 OF 3

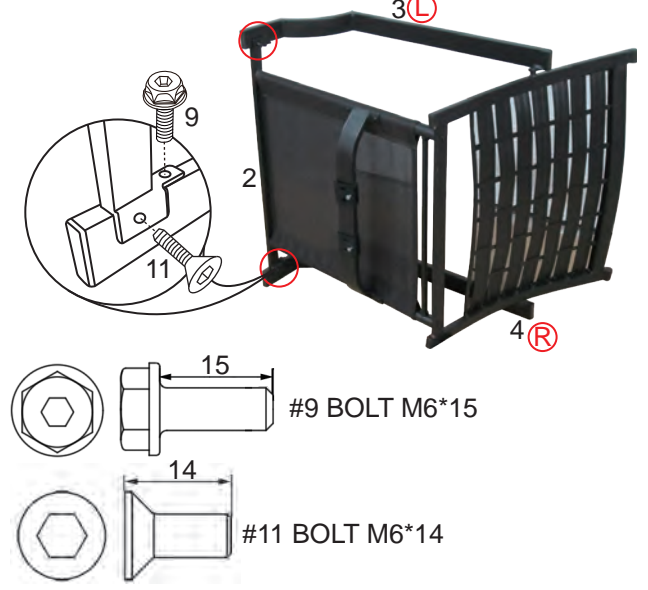
COURTYARD CREATIONS INC.

FIGURE 2



Step 2:
At the rear of the seat, fasten the seat assembly (#2) to the back assembly (#1) by using bolts (#8). Keep the bolts loose. See Figure 2.

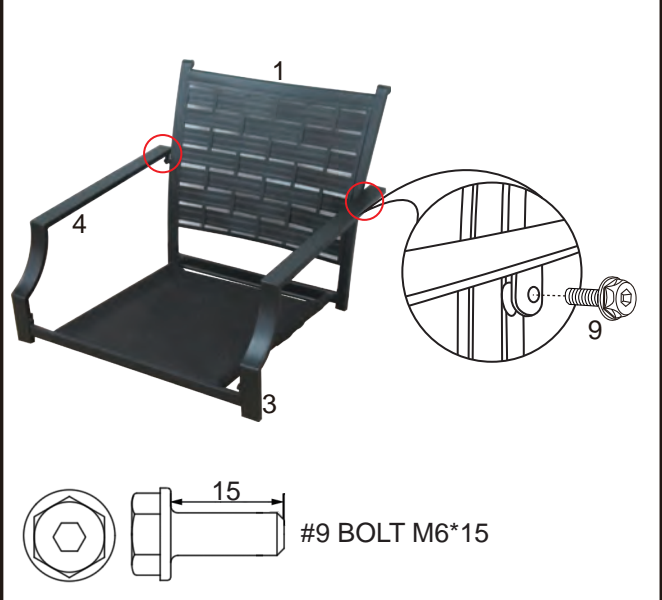
FIGURE 3



Step 3:
At the front of the seat assembly (#2), fasten the arms (#3 and #4) to the seat assembly (#2) by using bolts (#9 and #11). Keep the bolts loose. See Figure 3.

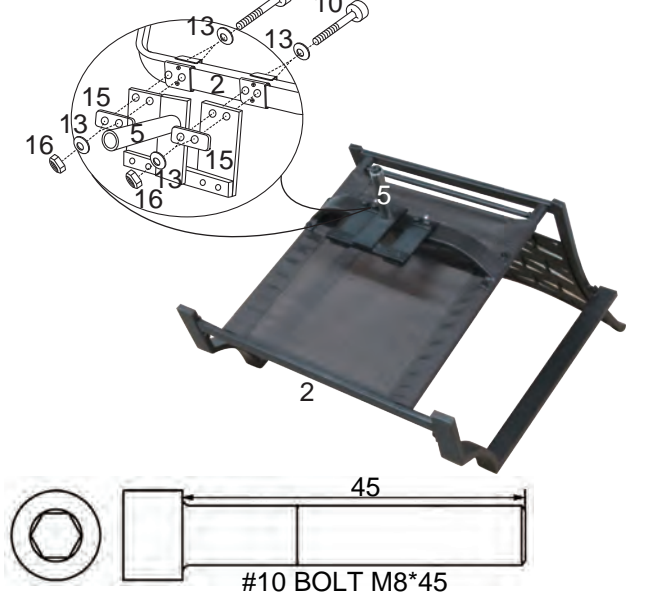
Note:
The labels marked "L" and "R" on arms (#3 and #4) should coincide with Figure 3 to ensure proper assembly.

FIGURE 4



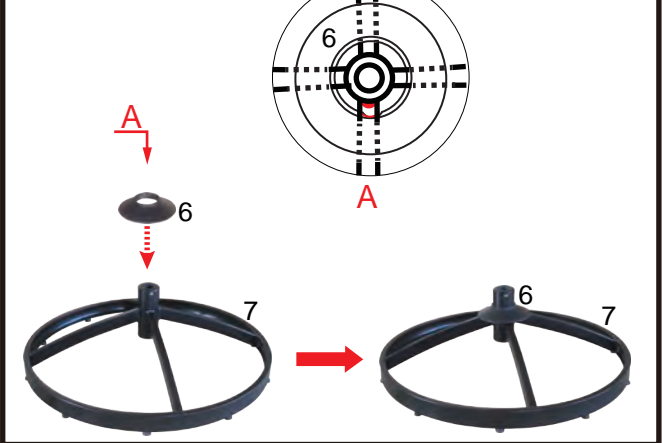
Step 4:
Fasten both the left arm (#3) and the right arm (#4) to the back assembly (#1) by using bolts (#9). See Figure 4.

FIGURE 5



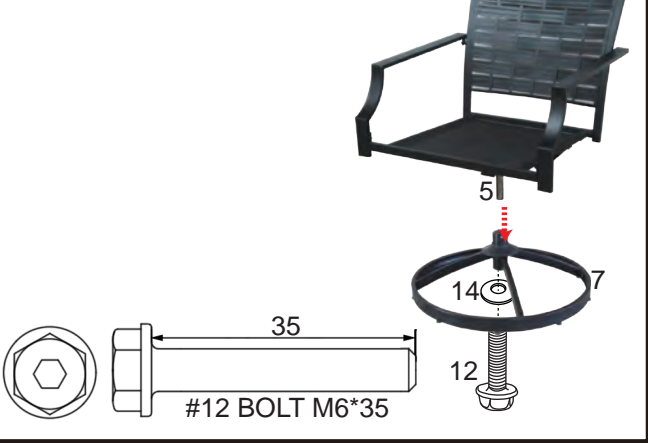
Step 5:
Turn the seat assembly to its upright position. Fasten the seat post (#5) to the seat assembly (#2) by using bolts (#10), washers (#13 and #15) and jam nuts (#16). See Figure 5.

FIGURE 6



Step 6:
Place the decorative plastic cover (#6) on the chair's base assembly (#7) as above picture A shows. See Figure 6.

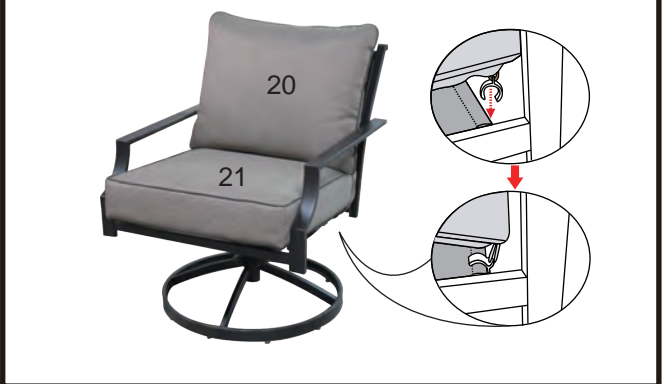
FIGURE 7



Step 7:
Insert the seat post (#5) into the hole in the center of the base assembly (#7). Fasten them together by using bolt (#12) and washer (#14). Make sure that all of the bolts have been tightened completely. See Figure 7.

Note:
For ease with installation, we recommend that the seat post (#5) be slightly oiled or waxed before fastening it to the base assembly (#7).

FIGURE 8



Step 8:
Place the cushions (#20 and #21) onto the swivel rocker chair. Secure the cushions to the swivel rocker chair by using the plastic clamps. See Figure 8.

Caution:
To ensure one's safety during use of this swivel rocker chair, examine all of the bolts to make sure that they are securely fastened. This is a chair with swivel rocker ability; therefore, use by young children should be adult supervised.

Cleaning and Maintenance

- Wash frame and fabric parts with mild soap and water, rinse thoroughly, and dry completely. Do not use bleach, acid, or other solvents on the frame or fabric parts.
- The cushions may be washed on the surface only by using mild soap and water or commercial foaming upholstery cleaner if necessary. If washed, rinse well and hang to dry. Do not machine wash or dry.
- We recommend the use of furniture covers when not in use.
- Inspect and tighten all bolts and fasteners on a regular basis to ensure the proper performance and safety of your swivel rocker chair.
- In order to prolong the life and beauty of your swivel rocker chair, we recommend that it be stored in a dry and protected area during off season periods.

Warranty

- This product is covered by Courtyard Creations Inc.'s. one-year limited warranty.
- Proof of purchase (dated register receipt) is required for warranty claims.
- It remains the customer's responsibility for freight and packing charges to and from the service center.

STOP!
Missing A Part?
No Need To Go Back To
The Store

The store where you made your purchase does not stock parts for this item.
If you need parts, whether they are missing or damaged, Call Toll Free:
TEL: 1-877-539-7436
FAX: 1-877-539-7439
Call us between 9:00 AM and 4:30 PM Eastern Time Monday through Friday
For further assistance, please visit us at
service.cci@polywares.com

- READ THESE INSTRUCTIONS COMPLETELY BEFORE STARTING ASSEMBLY
- ★ SEPARATE AND IDENTIFY ALL OF THE PARTS, MAKING SURE THAT YOU HAVE ALL OF THE PARTS LISTED.
 - ★ IF YOU DO NOT LOCATE ALL OF THE PARTS LISTED, INSPECT THE PACKING MATERIAL FOR SMALL PARTS THAT MAY HAVE BECOME SEPARATED DURING SHIPMENT.
 - ★ IF YOU EXPERIENCE ANY DIFFICULTY DURING ASSEMBLY OR IF ANY PARTS ARE MISSING OR DAMAGED, CALL THE HELP LINE AT 1-877-539-7436 BEFORE RETURNING THIS ITEM TO THE STORE.
 - ★ PROVIDE THE FOLLOWING INFORMATION WHEN CALLING:
1-MODEL NUMBER OF THE PRODUCT.
2-PART NUMBER AND MATERIAL CODE OF THE PART FROM THE PARTS LIST.
 - ★ MOST PROBLEMS CAN BE RESOLVED WITHOUT RETURNING THIS PRODUCT TO THE RETAILER.