









ASSEMBLY INSTRUCTIONS

ATTENTION: THIS PRODUCT IS NOT FOR COMMERCIAL USE
INTENDED FOR RESIDENTIAL USE ONLY.

TCS38SF

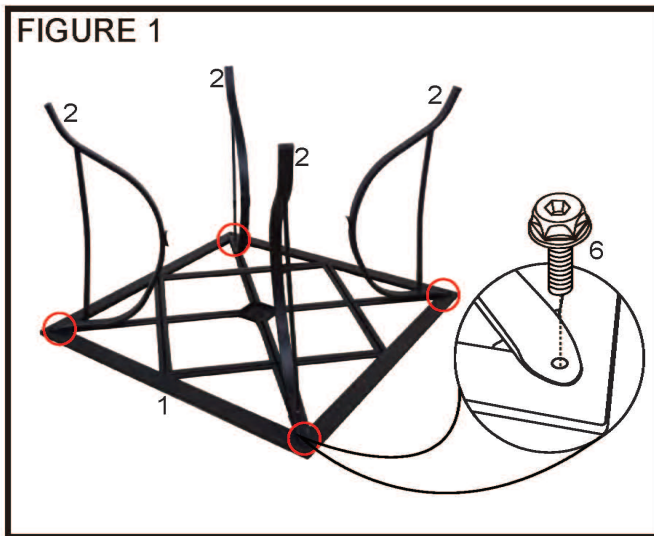
PARTS LIST








PART NO.	MATERIAL CODE	PART	Q'TY
1	TCS38SF-CS05-1	 TABLE TOP	1
2	TCS38SF-CS04-1	 LEG	4
3	62TGS41SVY101	 CENTER CONNECTOR WITH RING	1
4	13C??7B29008001	 TILE A	4

PART NO.	MATERIAL CODE	PART	Q'TY
5	13C??ECP008001	 TILE B	8
6	17C40A0705001YX	 BOLT M6*15	12
7	17KAA0101----Y4	 HEX KEY WRENCH 4MM	1
8	17KAC3101----Y3	 HEX KEY WRENCH 10MM	1

Note:
The tiles are easy to be broken, be careful when you remove them.

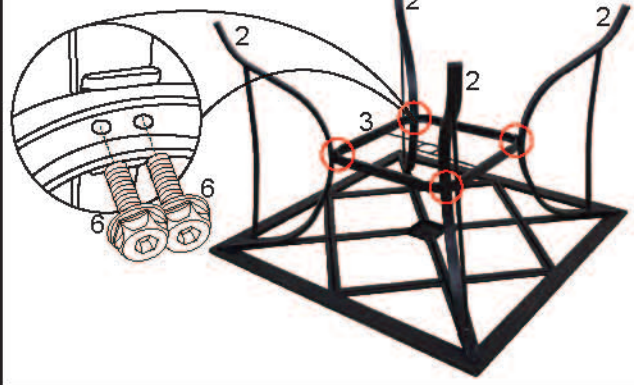
Step 1:
Place the table top (#1) onto a non-abrasive surface, such as a carpet, with its underside facing upwards. Fasten the legs (#2) to the underside of the table top (#1) rim by using bolts (#6). Keep the bolts loose. See Figure 1.



-  Use the correct bolts as indicated. Do not tighten any of the bolts until the table is completely assembled.
-  Do not sit or stand on this table.
-  A weighted umbrella base must be used when using an umbrella with this table.
-  Do not discard of any of the packaging until you have checked that you have all of the parts and fittings required.
-  Keep children away during assembly. This item contains small parts that can be swallowed by children. Children should always be under direct adult supervision while using this product.
-  Retain these assembly instructions for future reference.
-  Quote the following FQC No. when contacting the service center.

SERVICE CENTER TOLL FREE NO.
TEL: 1-877-539-7436
FAX: 1-877-539-7439

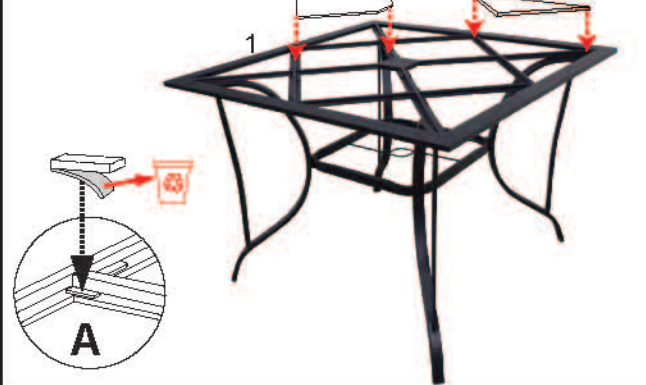
FIGURE 2



Step 2:

Fasten the center connector with ring (#3) to the middle of the legs (#2) by using bolts (#6). Make sure that all of the bolts have been tightened completely. See Figure 2.

FIGURE 3



Step 3:

Turn the table to its upright position. Place the tiles (#4 and #5) onto the table top (#1) carefully. See Figure 3 and Figure 4.

Note:

1. If any EVA foam pads on the table top are missing, there are extra EVA foam pads in the hardware kit. See Illustration A.
2. To use an umbrella with this table, remove the center plug and put the umbrella pole through the table top and center connector ring.

FIGURE 4



Cleaning and Maintenance

- Wash frame parts with mild soap and water, rinse thoroughly, and dry completely. Do not use bleach, acid, or other solvents on the frame parts.
- Inspect and tighten all bolts and fasteners on a regular basis to ensure the proper performance and safety of your table.
- When moving the table, remove the umbrella and lift. Do not drag this table.
- We recommend the use of furniture covers when not in use.
- In order to prolong the life and beauty of your table, we recommend that it be stored in a dry and protected area during off season periods.

Warranty

- This product is covered by Courtyard Creations Inc.'s one-year limited warranty.
- Proof of purchase (dated register receipt) is required for warranty claims.
- It remains the customer's responsibility for freight and packing charges to and from the service center.

STOP!
Missing A Part?
No Need To Go Back To The Store

The store where you made your purchase does not stock parts for this item. If you need parts, whether they are missing or damaged, Call Toll Free:

TEL: 1-877-539-7436
 FAX: 1-877-539-7439
 Call us between 9:00 AM and 4:30 PM Eastern Time Monday through Friday

For further assistance, please visit us at service.cci@polywares.com

READ THESE INSTRUCTIONS COMPLETELY BEFORE STARTING ASSEMBLY

- ★SEPARATE AND IDENTIFY ALL OF THE PARTS, MAKING SURE THAT YOU HAVE ALL OF THE PARTS LISTED.
- ★IF YOU DO NOT LOCATE ALL OF THE PARTS LISTED, INSPECT THE PACKING MATERIAL FOR SMALL PARTS THAT MAY HAVE BECOME SEPARATED DURING SHIPMENT.
- ★IF YOU EXPERIENCE ANY DIFFICULTY DURING ASSEMBLY OR IF ANY PARTS ARE MISSING OR DAMAGED, CALL THE HELP LINE AT 1-877-539-7436 BEFORE RETURNING THIS ITEM TO THE STORE.
- ★PROVIDE THE FOLLOWING INFORMATION WHEN CALLING:
 1-MODEL NUMBER OF THE PRODUCT.
 2-PART NUMBER AND MATERIAL CODE OF THE PART FROM THE PARTS LIST.
- ★MOST PROBLEMS CAN BE RESOLVED WITHOUT RETURNING THIS PRODUCT TO THE RETAILER.