





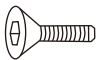
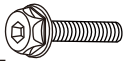


# ASSEMBLY INSTRUCTIONS

**ATTENTION: THIS PRODUCT IS NOT FOR COMMERCIAL USE  
INTENDED FOR RESIDENTIAL USE ONLY.**

## KTS712G

### PARTS LIST

PART NO.	MATERIAL CODE	PART	Q'TY
1	KTS712G-CS11-1	SEAT ASSEMBLY 	1
2	KTS712G-CS01-2	LEFT ARM 	1
3	KTS712G-CS01-3	RIGHT ARM 	1
4	17C40A0705001YX	BOLT M6*15 	2

PART NO.	MATERIAL CODE	PART	Q'TY
5	17C02A0755001YX	BOLT M6*14 	2
6	17C40A0712001YX	BOLT M6*35 	4
7	17KAA0101----Y4	HEX. KEY WRENCH 4MM 	1
8	17KAC3101----Y3	HEX. KEY WRENCH 10MM 	1

**Attention:**

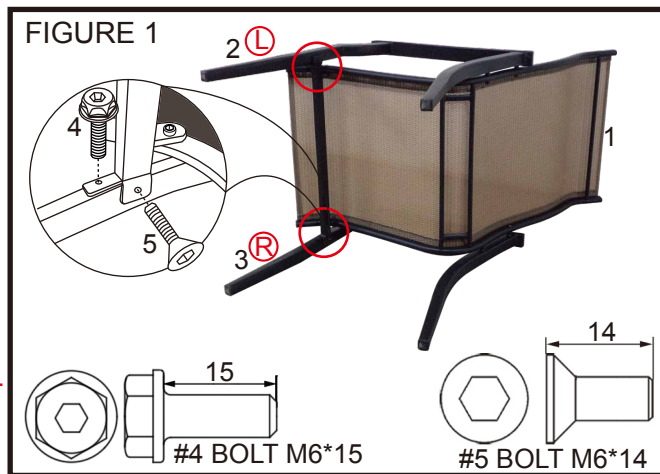
Make sure that each bolt needed for all steps matches the corresponding figure to ensure proper assembly.

**Step 1:**

Fasten the left arm (#2) and the right arm (#3) to the seat assembly (#1) by using bolts (#4 and #5). Keep the bolts loose. See Figure 1.

**Note:**

The labels marked "L" and "R" on arms (#2 and #3) should coincide with Figure 1 to ensure proper assembly.



**⚠ Use the correct bolts as indicated. Do not tighten any of the bolts until the chair is completely assembled.**

**⚠ Do not discard any of the packaging until you have checked that you have all of the parts and fittings required.**

**⚠ Keep children away during assembly. This item contains small parts that can be swallowed by children. Children should always be under direct adult supervision while using this product.**

**⚠ Retain these assembly instructions for future reference.**

**⚠ Quote the following FQC NO. when contacting the service center.**

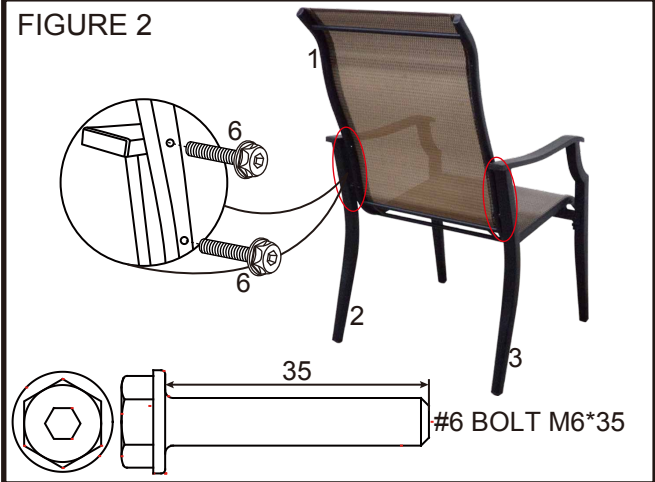
SERVICE CENTER TOLL FREE NO.

TEL: 1-877-539-7436

FAX: 1-877-539-7439



FIGURE 2



**Step 2:**  
Turn the chair to its upright position. At the back of the chair, fasten the seat assembly (#1) to the arms (#2 and #3) by using bolts (#6). See Figure 2.

FIGURE 3



**Step 3:**  
Turn the chair to its upright position. Make sure that all of the bolts have been tightened completely. See Figure 3.

Cleaning and Maintenance

- Wash frame parts with mild soap and water, rinse thoroughly, and dry completely. Do not use bleach, acid, or other solvents on the frame parts.
- We recommend the use of furniture covers when not in use.
- Inspect and tighten all bolts and fasteners on a regular basis to ensure proper performance and safety of your chair.
- In order to prolong the life and beauty of your chair, we recommend that it be stored in a dry and protected area during off season periods.

Warranty

- This product is covered by Courtyard Creations Inc.'s one-year limited warranty.
- Proof of purchase (dated register receipt) is required for warranty claims.
- It remains the customer's responsibility for freight and packing charges to and from the service center.

**STOP!**  
**Missing A Part?**  
**No Need To Go Back To The Store**

The store where you made your purchase does not stock parts for this item. If you need parts, whether they are missing or damaged, Call Toll Free:  
 TEL: 1-877-539-7436  
 FAX: 1-877-539-7439  
 Call us between 9:00 AM and 4:30 PM Eastern Time Monday through Friday  
 For further assistance, please visit us at [service.cci@polywares.com](mailto:service.cci@polywares.com)

READ THESE INSTRUCTIONS COMPLETELY BEFORE STARTING ASSEMBLY

- ★ SEPARATE AND IDENTIFY ALL OF THE PARTS, MAKING SURE THAT YOU HAVE ALL OF THE PARTS LISTED.
- ★ IF YOU DO NOT LOCATE ALL OF THE PARTS LISTED, INSPECT THE PACKING MATERIAL FOR SMALL PARTS THAT MAY HAVE BECOME SEPARATED DURING SHIPMENT.
- ★ IF YOU EXPERIENCE ANY DIFFICULTY DURING ASSEMBLY OR IF ANY PARTS ARE MISSING OR DAMAGED, CALL THE HELP LINE AT 1-877-539-7436 BEFORE RETURNING THIS ITEM TO THE STORE.
- ★ PROVIDE THE FOLLOWING INFORMATION WHEN CALLING:  
 1-MODEL NUMBER OF THE PRODUCT.  
 2-PART NUMBER AND MATERIAL CODE OF THE PART FROM THE PARTS LIST.
- ★ MOST PROBLEMS CAN BE RESOLVED WITHOUT RETURNING THIS PRODUCT TO THE RETAILER.