

**IMPORTANT!! PLEASE READ ENTIRE INSTRUCTION SHEET BEFORE ASSEMBLY!!
TO EXPEDITE ANY FUTURE WARRANTY CLAIMS, PLEASE KEEP INSTRUCTION SHEET, WARRANTY CARD AND RECEIPT**

Step 1: Remove all protective materials and set parts on a flat, non-abrasive surface. Identify parts packed in carton against the parts list.

Step 2: Place the table top upside down on a flat, non-abrasive surface. Attach a table leg to the table top by using two bolts and washers as shown in **Figure 1**. Guide the bolts through holes in table leg, into pre-drilled hole in the table top. Hand tighten 2-3 turns only. **Do not tighten completely.** Repeat for the other leg.

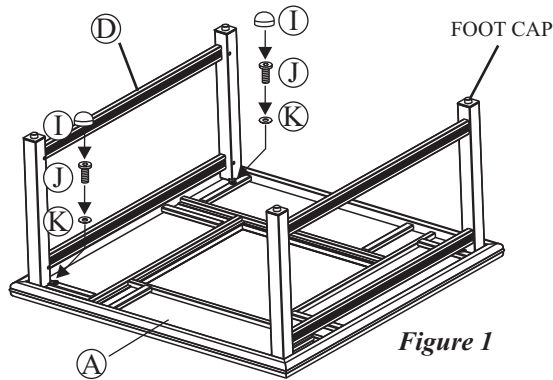


Figure 1

Step 3: Attach a side panel to two table legs by using four bolts and washers as shown in **Figure 1**. Guide the bolts through holes in side panel, into pre-drilled hole in the table leg. Hand tighten 2-3 turns only. **Do not tighten completely.** Repeat for the other leg.

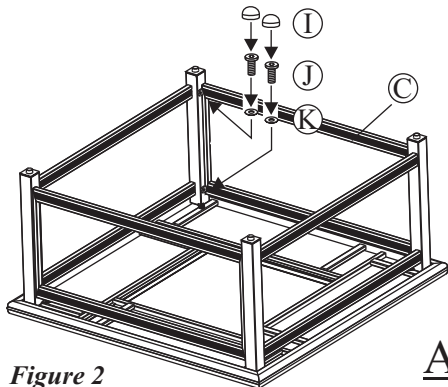


Figure 2

Step 4: After making any necessary adjustments to the alignment of the table, use the hex bolt driver and hex wrench to tighten all nuts and bolts. Repeat until all bolts are tight. Do not over tighten. Over tightening may strip bolts. Cover all nuts and bolts with covers.

Step 5: With the help of another person, turn the firepit table in the upright position. To use as a table, carefully place the basin inside the center of the table as shown in **Figure 3**. Fuel suggestion taking over 1/2 of the basin.

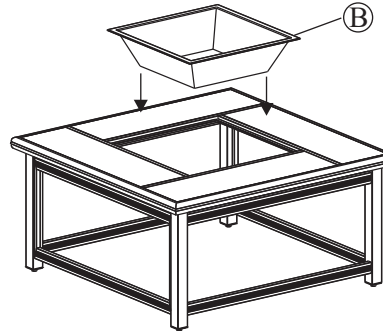


Figure 3

Step 6: To use as a firepit, place the steel grate in the basin as shown in **Figure 4**. The mesh cover and steel poker were packed with fire pit. Always use the mesh cover when the fire pit is in use (except when cooking).

Your fire pit is now ready for use.

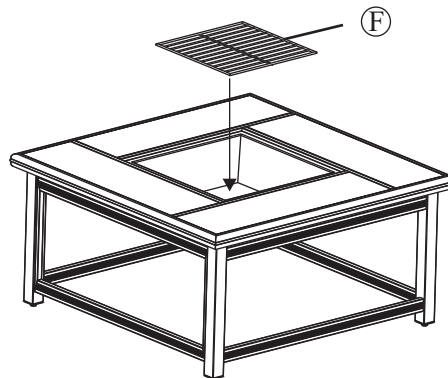
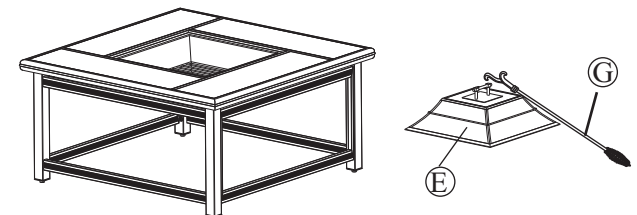


Figure 4

** NOTE: PARTS SHOWN ON PARTS LIST ARE NOT TO SCALE*

	<u>PARTS LIST</u>	<u>DESCRIPTION</u>	<u>ORDER PART #</u>	<u>QTY</u>
A		TABLE TOP	FP2269	1
B		BASIN	FP2270	1
C		SIDE PANEL	FP2271	2
D		TABLE LEG	FP2272	2
E		MESH COVER	FP2273	1
F		STEEL GRATE	FP2274	1
G		FIRE PIT POKER	FP2275	1
H		HEX BOLT DRIVER	HW0006	1
I		BOLT COVER	HW0105	12
J		1/4" X 20 MM BOLT	HW0036	12
K		Ø6.5 X 1.0 MM WASHER	HW0004	12
		FOOT CAP FACTORY ASSEMBLY	FC0553	



CARE AND MAINTENANCE

FRAMES

Cleaning - Use mild soap and warm water. Do not use abrasive materials, cleansers or bleach products. Rinse with clean water and dry thoroughly.

Maintenance - Periodically clean and dry thoroughly. Be sure to drain any water accumulated inside the frames. To thoroughly drain frames, remove foot caps and tilt the frames, if necessary, to remove all water. This is critical. Water allowed to accumulate inside the frames and then exposed to sub-freezing temperatures can cause damage to the frame tubing. Such damage is not covered under warranty. Always clean, drain and dry thoroughly before storing for the winter. For best results, always store or cover your furniture when not in use. We recommend commercially available outdoor furniture covers. Any small nicks or scratches can be covered with a light application of touch-up paint.

** When cleaning or moving large or heavy items, always have two people work together. Never drag furniture.

SPECIAL WARNINGS!!!

- Always make sure product is assembled correctly before using.
- This product is not a toy and is designed for outdoor use in well ventilated areas only. It is not intended for use indoors or in enclosed areas such as enclosed patios, sheds, or garages.
- Do not use on wooden decks or near flammable or combustible materials.
- Burn only wood logs in the firebowl. Do not burn gasoline, kerosene, coal, leaves, other flammable fuels or combustible materials in the firebowls.
- Always make sure product is assembled correctly before using.
- Not for use by children. Keep children and pets away from the firebowl area.
- Do not use the firebowl during windy conditions.
- Firebowl area is hot. Use with caution. Never touch area near firebowl with bare hands.
- Never leave a burning fire unattended. Always extinguish fire before leaving the area of table firebowl.
- Use with extreme care and at your own risk. As with all products involving an open flame, improper use can result in a fire.

By purchasing and using this product, consumer accepts all liability for safety. Agio, Agio International Company, Ltd., Shian Industries Company, Ltd., and all affiliates assume no liability for any direct, indirect, special, punitive, incidental, exemplary or consequential damages resulting from the use, incorrect use, or misuse of torch items we produce.

LIMITED WARRANTY

Aluminum Framed Firebowl Tables are warranted as follows:

Aluminum frames for one year against defects in materials or workmanship only. Damage to frames due to improper assembly is not covered.

Paint finishes for 30-days against defects in materials or workmanship only provided the item has not been scratched or abraded. Scratches resulting from normal wear and tear are not covered.

Steel Firebowls and Fire Screens for 30-days against defects in materials or workmanship only. General rusting is not covered.

Tabletops for 30-days against defects in materials or workmanship only. Tabletop breakage is not covered. Please take precautions to protect the tabletop surface. Tile pieces (if applicable) are not covered.

Should an item be defective in materials or workmanship during the stated warranty period, we will replace and ship the item or part at no charge within the continental North America only. We will not be responsible for charges associated with shipments outside the continental North America at any time or for any reason.

This warranty excludes the following: furniture used for any purpose other than private residential use; furniture damaged by acts of nature, abuse, lack of proper care and maintenance, or improper assembly; tabletops materials against breakage; hardware against rust or corrosion; loss of use, inconvenience or any other incidental damages. In no event shall our responsibility exceed the value of the replacement product. Warranty is to the original purchaser only and is not transferable. Copy of dated register receipt required for all warranty claims. For quality control purposes, we reserve the right to request images of the damaged items. In the event of discontinued items, we reserve the right to substitute with an item of our choice of similar style and quality.

PATIO FURNITURE & ACCESSORIES ASSEMBLY INSTRUCTIONS

IMPORTANT!!!

STOP! PLEASE READ THESE INSTRUCTIONS CAREFULLY BEFORE ASSEMBLY. MAKE SURE YOU HAVE ALL THE PARTS AND HARDWARE AS IDENTIFIED ON THE PARTS LIST.