

**IMPORTANT!! PLEASE READ ENTIRE INSTRUCTION SHEET BEFORE ASSEMBLY!!
TO EXPEDITE ANY FUTURE WARRANTY CLAIMS, PLEASE KEEP INSTRUCTION SHEET, WARRANTY CARD AND RECEIPT**

Step 1: Identify all parts packed in the carton against the parts list. Remove all protective materials. Place parts on a non-abrasive surface to avoid scratching.

Step 2: Attach the leg support to the chair legs (B1 & B2) by using the 1/4"x20mm bolts and washers as shown in Fig.1. Guide these bolts through the holes in the leg support, into pre-drilled holes in the chair legs. **Hand tighten only 2-3 turns.**

Step 3: Attach the support bar to the chair legs by using the 1/4"x20mm bolts and washers as shown in Fig.2. Guide the bolts through the holes in the support bar, into the pre-drilled holes in the chair legs. **Hand tighten only 2-3 turns.**

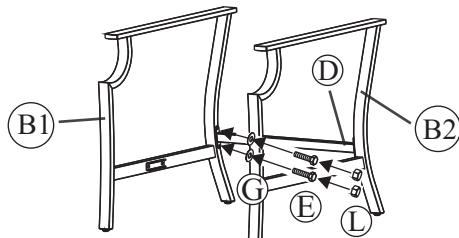


Fig. 1

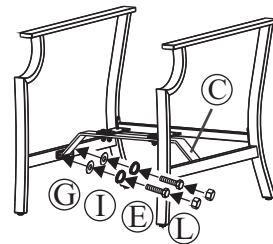


Fig. 2

Step 4: At this time make any adjustments to alignment of all parts. Tighten all bolts a few revolutions at a time, alternating between bolts until tightened. **Do not over tighten. Over tightening may strip bolts.**

Step 5: Set the chair frame on the rocker assembly with the front of the seat facing you and the arrows on the "U" bar pointing towards you as shown in Fig.3. This is very important for a safe, balanced rocking motion. **If chair frame has been properly positioned on the rocker assembly, all arrows on the "U" bar and rocker assembly will be pointing in the same direction.**

Step 6: Critical Step: The "U" metal plates must be installed in the proper location. Read this step and carefully examine. Align the holes in the U bar with the holes in the rocker plates. Insert a "U" metal plate as shown in Fig.4. Guide the 5/16"x35mm bolts through the holes in the "U" metal plate, "U" bar, rocker plate, and bottom portion of the "U" metal plate as shown in Fig. 5. Add a Ø8.0 x 2.3 mm spring washer and a nut to each bolt as shown in Fig.5. **Hand tighten only.** Repeat the same procedure on the other side.

CAUTION: Failure to place the "U" metal plates under the rocker plates and above the "U" bar exactly as shown the diagram will cause the bolt heads and nuts to damage the structure of the rocker plates and the "U" bar. Damage due to over tightening of bolts or improper assembly could cause injury and may void your warranty.

Step 7: Tighten all nuts and bolts with the hex wrenches provided. **Do not over tighten.** Remove arrow labels from the "U" bar and rocker assembly. Cover all bolts with bolt covers.

Step 8: Your chair is ready for use. I

NOTE: MAKE SURE ARROWS FROM BOTH THE "U" BAR AND ROCKER ASSEMBLY ARE POINTING IN THE SAME DIRECTION!

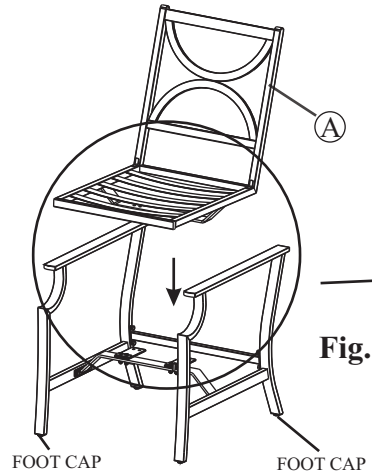


Fig. 3

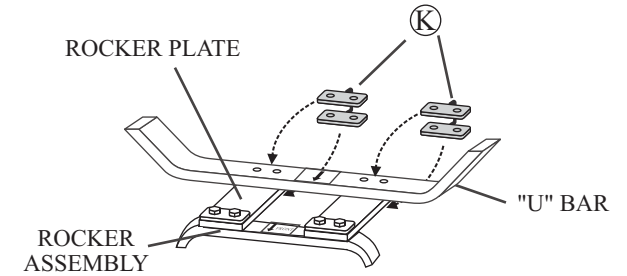


Fig. 4

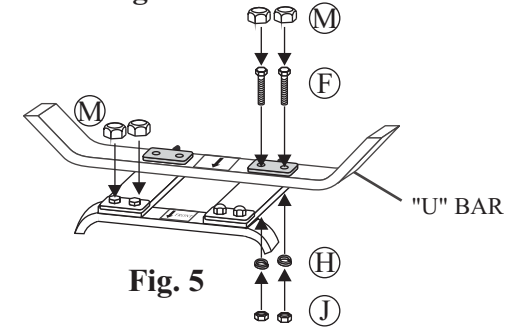


Fig. 5

* NOTE: PARTS SHOWN ON PARTS LIST ARE NOT TO SCALE

	PARTS LIST	DESCRIPTION	ORDER PART #	QTY		PARTS LIST	DESCRIPTION	ORDER PART #	QTY
A		SEAT FRAME	SH0310	1	K		"U" METAL PLATE	HW0618	2
B1		LEFT LEG	SH0311	1	L		BOLT COVER-1	HW0442	8
B2		RIGHT LEG	SH0312	1	M		BOLT COVER-2	HW0028	8
C		SUPPORT BAR	SH0313	1	N		HEX WRENCH-1	HW0008	1
D		LEG SUPPORT	SH0314	1	O		HEX WRENCH-2	HW0007	1
E		1/4" X 20 MM BOLT	HW0465	8			ROCKER PLATE FACTORY ASSEMBLY	G0347	
F		5/16" X 35 MM BOLT	HW0066	4			FOOT CAP FACTORY ASSEMBLY	FC0607	
G		Ø6.5 X 1.0 MM WASHER	HW0004	8					
H		Ø8.0 X 2.3 MM SPRING WASHER	HW0003	4					
I		Ø6.5 X 1.6 MM SPRING WASHER	HW0751	4					
J		5/16" NUT	HW0015	4					

BCE01120

CARE AND MAINTENANCE

FRAMES

Cleaning - Use mild soap and warm water. Do not use abrasive materials, cleansers or bleach products. Rinse with clean water and dry thoroughly.

Maintenance - Periodically clean and dry thoroughly. Be sure to drain any water accumulated inside the frames. To thoroughly drain frames, remove foot caps and tilt the frames, if necessary, to remove all water. This is critical. Water allowed to accumulate inside the frames and then exposed to sub-freezing temperatures can cause damage to the frame tubing. Such damage is not covered under warranty. Always clean, drain and dry thoroughly before storing for the winter. For best results, always store or cover your furniture when not in use. We recommend commercially available outdoor furniture covers. Any rust spots should be lightly sanded, treated with a commercially available rust inhibitor and followed by an application of touch-up paint. Any small nicks or scratches can be covered with a light application of touch-up paint.

** When cleaning or moving large or heavy items, always have two people work together. Never drag furniture.

FABRICS (CUSHIONS/SLINGS)

Cleaning - Wipe minor spills immediately. Clean with mild soap, warm clean water and soft cloth. Do not use abrasive materials, cleansers or bleach products. Although fabric has been treated to resist stains, occasional use of commercially available fabric cleaners may be necessary. Follow manufacturer's instructions.

Maintenance - The best way to maintain the beauty of cushions and slings is to store them in a dry area and out of the elements when not in use or cover with commercially available outdoor furniture covers.

STRAPS

Cleaning - Wash frequently with mild soap, warm water and a soft cloth. Rinse thoroughly with warm, clean water. Do not use abrasive materials, cleansers or bleach products.

Maintenance - Periodic application of commercially available vinyl cleaners and vinyl protectors will enhance the look and prolong the life of straps. If your strap chair has cushions, make sure any vinyl protectors applied are completely dry before placing cushion back on the chair.

LIMITED WARRANTY

- **Frames.** Frame construction is warranted against defects in materials or workmanship for one year from purchase date. Damage to frames or welds resulting from improper assembly or exposure to water and/or sub-freezing temperatures is not covered. General frame rusting is not covered.
- **Finishes.** Paint finishes are warranted against peeling, cracking or blistering for one year from purchase date provided the unit has not been scratched or abraded. Chips and scratches resulting from normal wear and tear are not covered.
- **Fabrics.** Fabric and cushions (if applicable) are warranted against separation at the seams for one year from purchase date. Fading and/or discoloration resulting from exposure to the elements, oils, spills, fluids, chemicals, or any other cause is not covered.
- **Straps and/or wicker.** Straps and/or wicker weave (if applicable) are warranted against separation and tearing for one year from purchase date. Fading and/or discoloration resulting from exposure to the elements, oils, spills, fluids, chemicals, or any other cause is not covered.
- **Umbrellas.** Umbrellas (if applicable) are warranted against manufacturer's defects only for one year from purchase date. Umbrella bases (if applicable) are not covered under any circumstances.
- **Table tops.** Natural stone tabletops only are warranted against defects in materials and workmanship only for one year from purchase date. All table tops (including without limitation glass and faux stone) are not covered under any circumstances.

Warranty limitations: This warranty is to the original purchaser only when purchased from one of our authorized dealers and is not transferable. We will pay shipping and handling charges for replacement items within the North American continent during the first year of ownership on all valid warranty claims. After the first year, shipping and handling charges are the responsibility of the claimant/owner. We shall not be responsible for charges associated with shipments outside of the North American continent at any time.

Warranty exclusions: The following are excluded from coverage under this limited warranty: any item used for commercial, contract or any other non-residential purpose; clearance items, display models or items purchased "as is"; freight damage; items subject to misuse, abuse, or lack of proper care or maintenance; damage caused by acts of nature, acts of force majeure, vandalism, fire or improper assembly; hardware against corrosion or rusting; purchased or replacement parts; and all plastic parts. Also excluded are loss of use or time; inconveniences; money, travel, packaging or incidental, special or consequential damages of any kind. Replacement of defective items as provided herein shall constitute the sole and exclusive remedy of the purchaser for items which are not as warranted. In no event shall our responsibility exceed the purchase price of the item found to be other than as warranted. This warranty is the exclusive statement of your rights with respect to defects in the items you have purchased and supersedes any other expressed warranty or statement, written or oral, made in connection with the purchase and sale of those items. When used herein, the term "item" refers to the specific item found to be defective, and not to the entire set of which the item is a part.

Some states do not allow exclusion or limitation of incidental or consequential damages, so that limitation above may not apply to you. This warranty gives you specific legal rights, and you may also have other rights which vary from state to state.

PATIO FURNITURE & ACCESSORIES ASSEMBLY INSTRUCTIONS

IMPORTANT!!!

STOP! PLEASE READ THESE INSTRUCTIONS CAREFULLY BEFORE ASSEMBLY. MAKE SURE YOU HAVE ALL THE PARTS AND HARDWARE AS IDENTIFIED ON THE PARTS LIST.