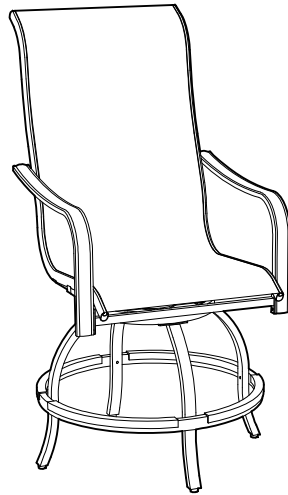




FS Avellino 6PK Chair

TV. No: 243332



IMPORTANT:

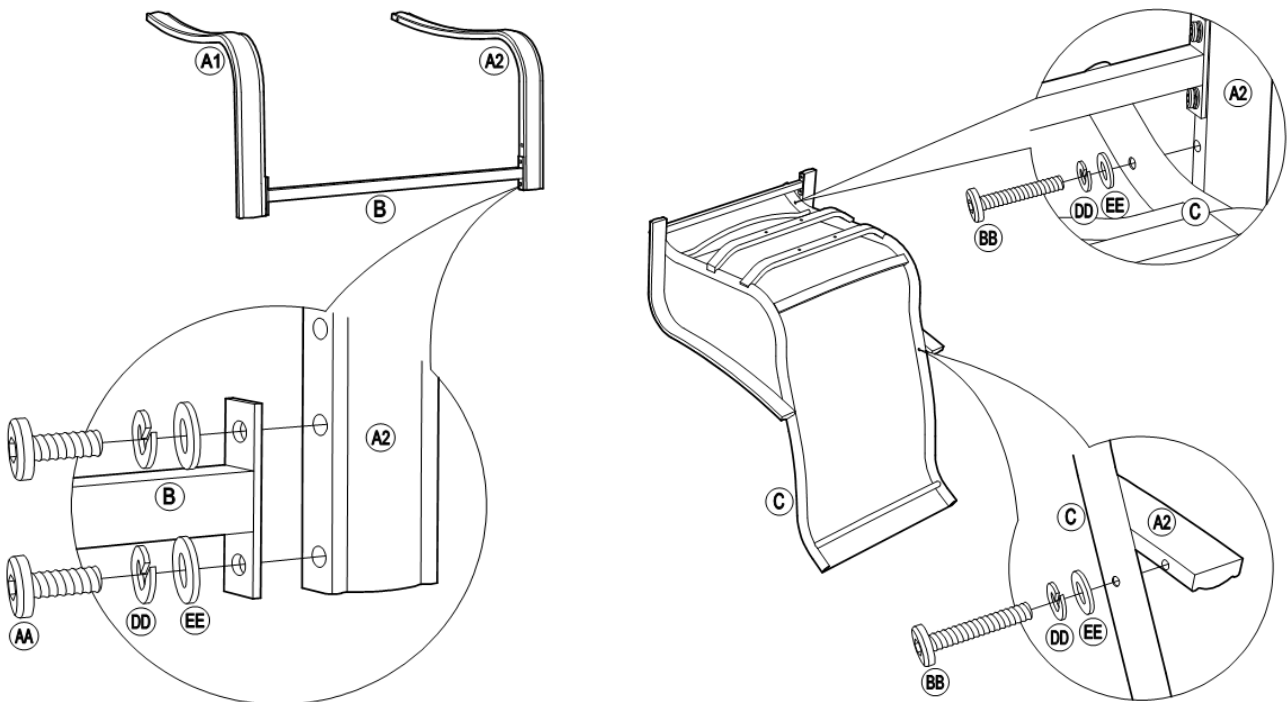
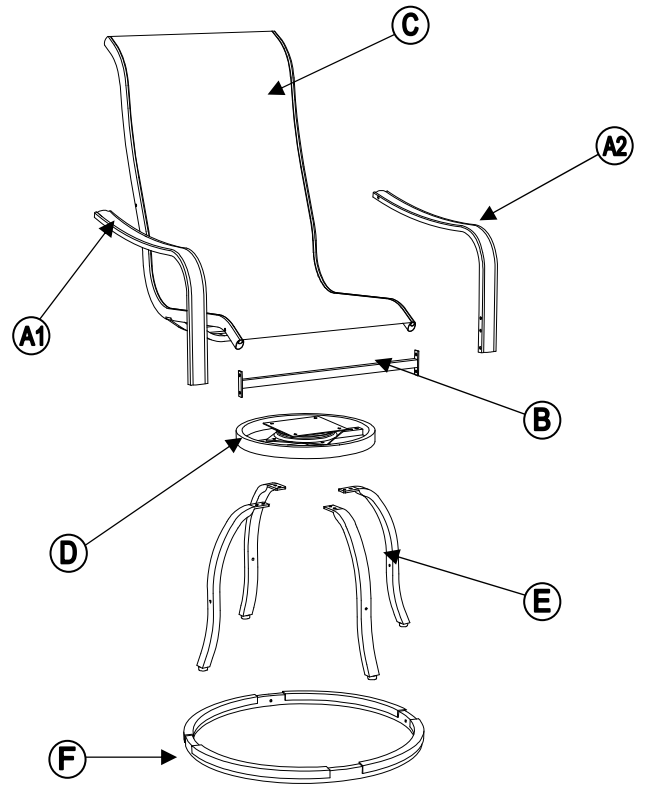
1. Keep all children and pets away from assembly area. Children and pets should be supervised while product is being assembled.
2. The assembled product should be located at least 6 feet (2 m) from any obstruction such as fence, garage, house, overhanging branches, laundry lines or electrical wires.
3. This unit is heavy. Do not assemble this item alone. 2 people are recommended for safe assembly.
4. Some parts may contain sharp edges. Wear protective gloves if necessary during assembly.
5. When assembling and using this product, basic safety precautions should always be followed to reduce the risk of personal injury and damage to equipment. Please read all instructions before assembly and use.
6. For both outdoor and indoor use.
7. Check all bolts for tightness before and during usage.
8. Please check your state and local regulations prior to purchasing. Some jurisdictions may require permits for installation and use of this product. Some special procedures may be valid in your area.

Care & Maintenance:

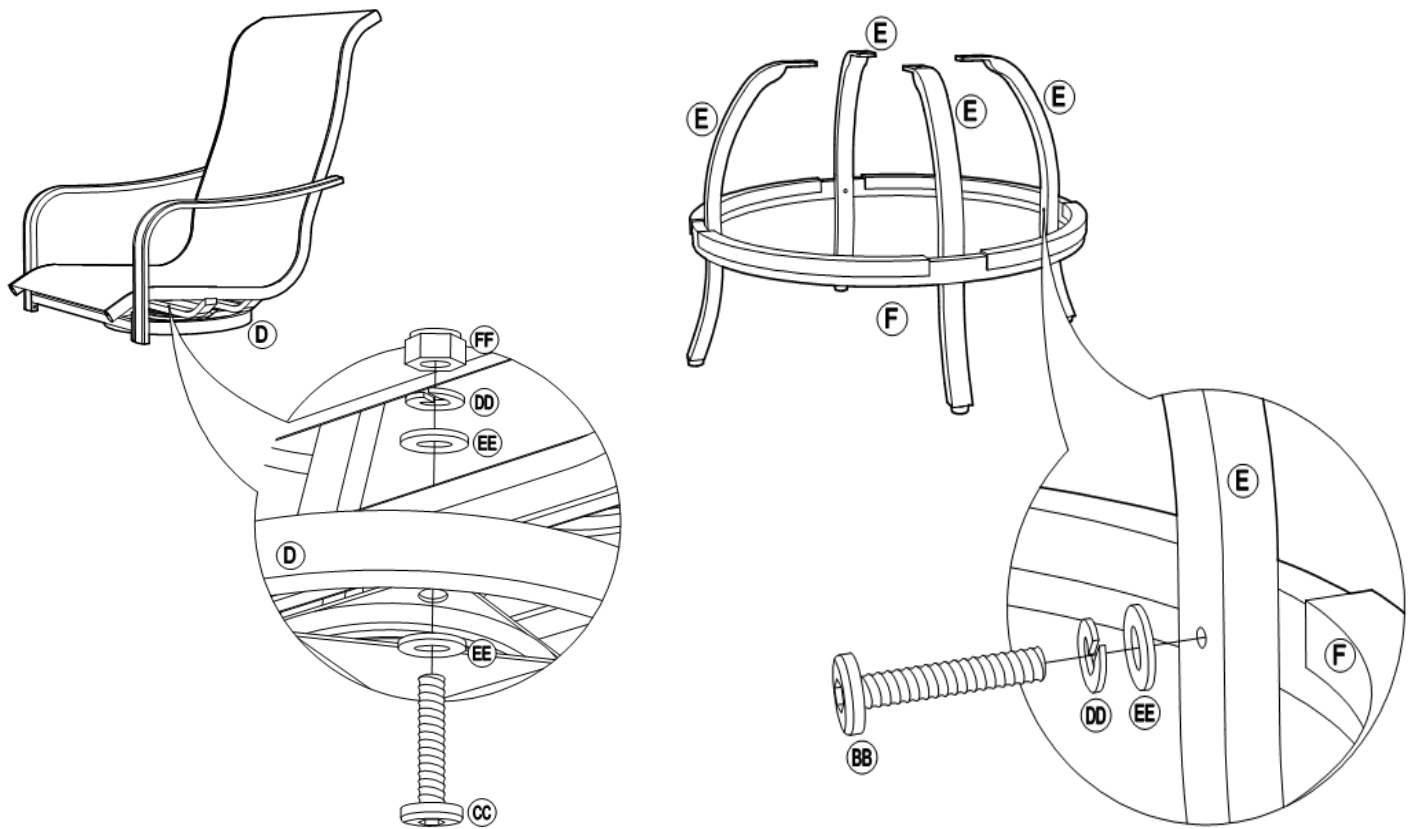
Our steel components for garden accessories and furniture are treated with rust inhibiting paint that protects it from rusting. However, due to the nature of steel, surface oxidation (rusting) will occur if these protective coatings are scratched. This is not a defect and thus not covered by the warranty. To minimize this condition, we recommend care when assembling & handling the product to prevent scratching the paint. Should any scratching or damage occur, we recommend immediate touch-up with rust inhibiting paint. Surface rust can also be easily removed with a very light application of common cooking oil. If surface oxidation (rusting) occurs and if no measure is taken to prevent this, the oxidation may start dripping on to deck or patio and caused damaging stains, which may be difficult to remove. This can be prevented if the above-mentioned measures are taken to keep the product from oxidizing.

Part List

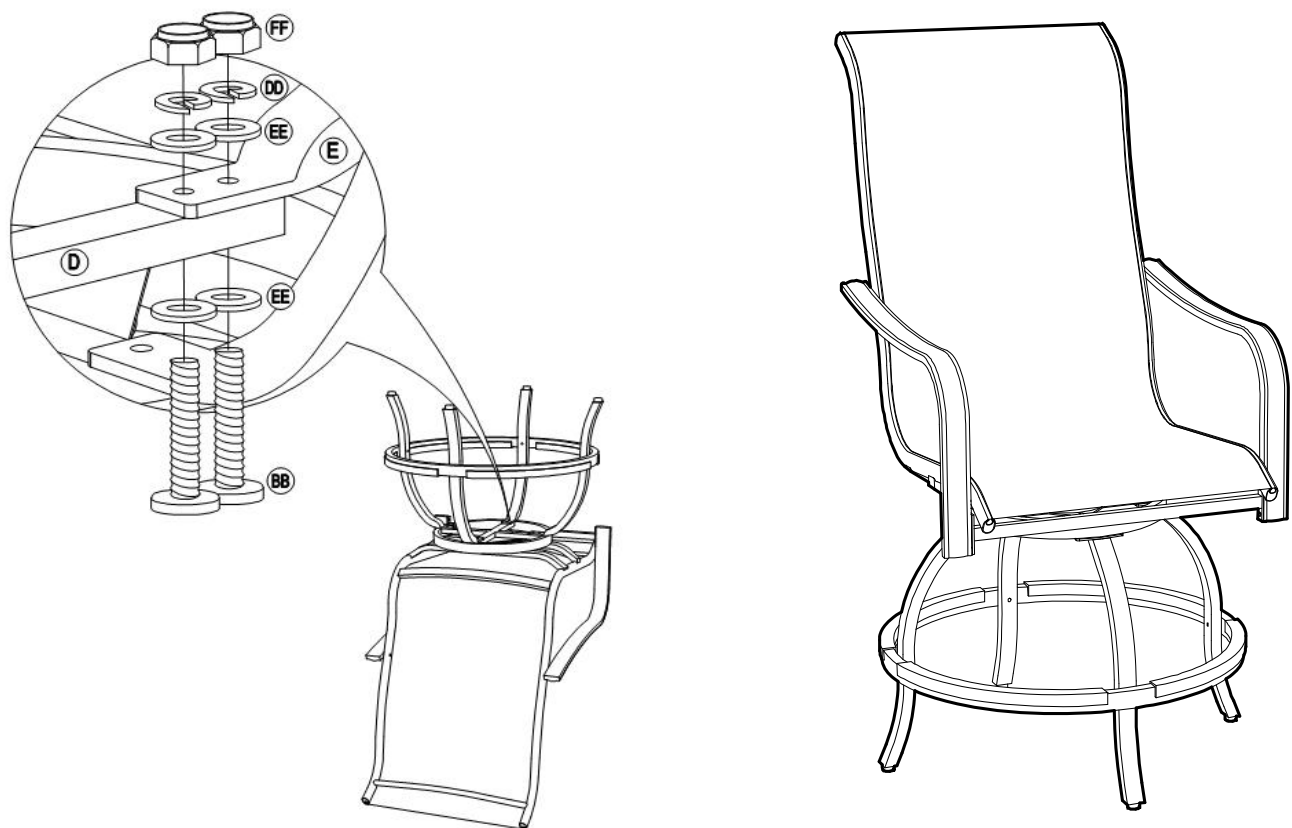
No.	Description	Qty
A1	Right arm	1
A2	Left arm	1
B	Connect bar	1
C	Chair back	1
D	Swivel	1
E	Leg	4
F	Ring	1
AA	Bolt M6*20	4
BB	Bolt M6*35	16
CC	Bolt M6*28	4
DD	Spring Washer M6	24
EE	Flat washer M6	36
FF	Nut M6	12
GG	Hex M6	1
HH	Wrench M6	1



Step 1: Connect connect bar (B) and left / right arm (A1/A2) with bots (AA), spring washer (DD) and flat washers (EE).
 Step 2: Fix the assembled arms to chair back (C) with bots (BB), spring washer (DD) and flat washers (EE).



Step 3: Fix the swivel (D) to assembled chair seat with bots (CC), flat washers (EE), spring washer (DD) and nuts (FF).
 Step 4: Fix the ring (F) to legs (E) with bots (BB), spring washer (DD) and flat washers (EE).



Step 5: Fix the assembly chair base to assembly chair seat with bots (BB), flat washers (EE), spring washer (DD) and nuts (FF).
 Step 6: Turn over the chair, now you chair is ready to use.