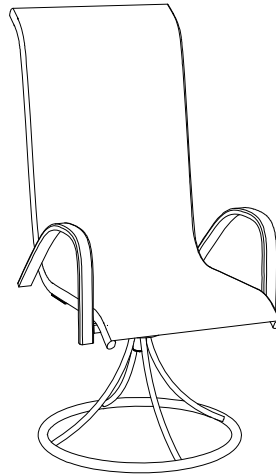




FS Marbella Swivel Chair

TV. No: 243336



IMPORTANT:

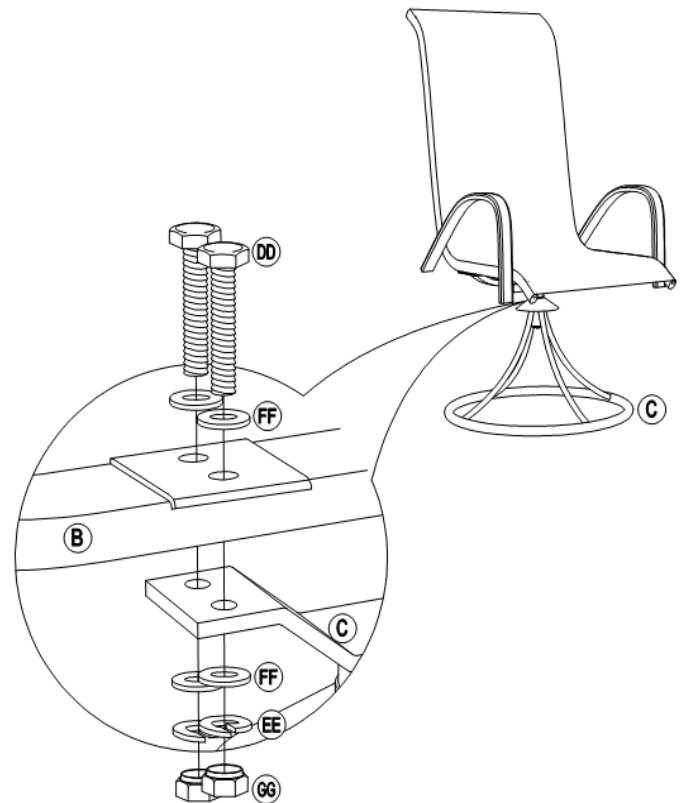
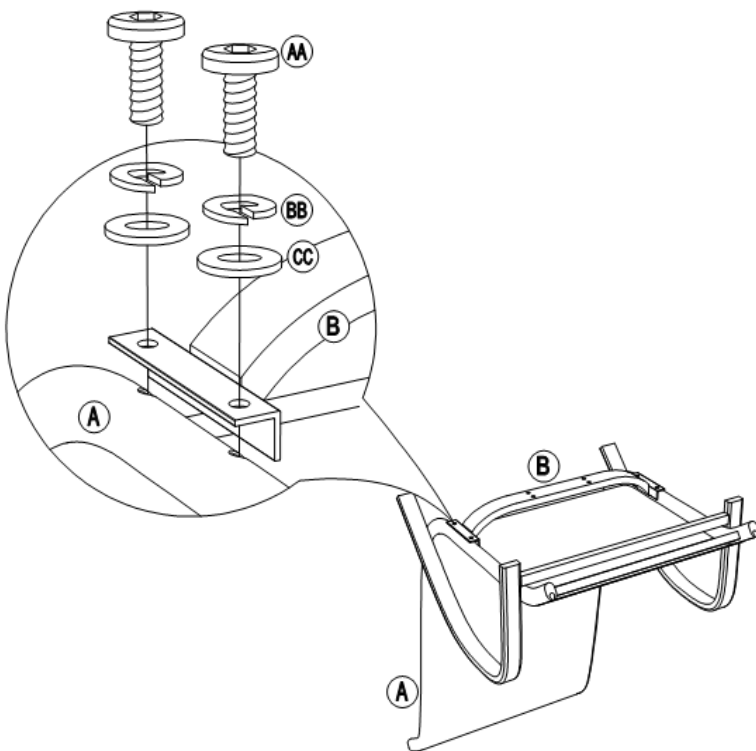
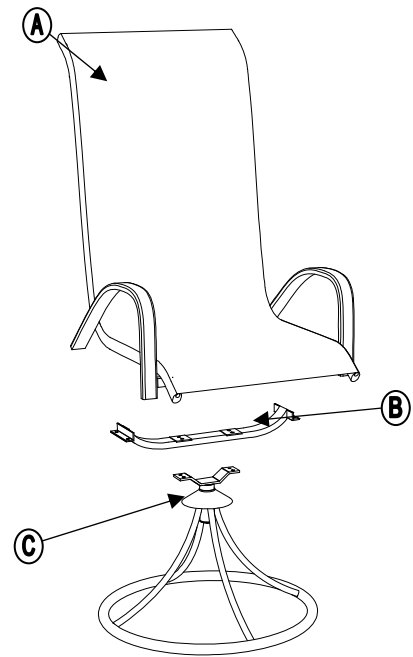
1. Keep all children and pets away from assembly area. Children and pets should be supervised while product is being assembled.
2. The assembled product should be located at least 6 feet (2 m) from any obstruction such as fence, garage, house, overhanging branches, laundry lines or electrical wires.
3. This unit is heavy. Do not assemble this item alone. 2 people are recommended for safe assembly.
4. Some parts may contain sharp edges. Wear protective gloves if necessary during assembly.
5. When assembling and using this product, basic safety precautions should always be followed to reduce the risk of personal injury and damage to equipment. Please read all instructions before assembly and use.
6. For both outdoor and indoor use.
7. Check all bolts for tightness before and during usage.
8. Please check your state and local regulations prior to purchasing. Some jurisdictions may require permits for installation and use of this product. Some special procedures may be valid in your area.

Care & Maintenance:

Our steel components for garden accessories and furniture are treated with rust inhibiting paint that protects it from rusting. However, due to the nature of steel, surface oxidation (rusting) will occur if these protective coatings are scratched. This is not a defect and thus not covered by the warranty. To minimize this condition, we recommend care when assembling & handling the product to prevent scratching the paint. Should any scratching or damage occur, we recommend immediate touch-up with rust inhibiting paint. Surface rust can also be easily removed with a very light application of common cooking oil. If surface oxidation (rusting) occurs and if no measure is taken to prevent this, the oxidation may start dripping on to deck or patio and caused damaging stains, which may be difficult to remove. This can be prevented if the above-mentioned measures are taken to keep the product from oxidizing.

Part List

No.	Description	Qty
A	Chair back	4
B	Connect bar	4
C	Chair base	4
AA	Bolt M6*15	4
BB	Spring Washer M6	4
CC	Flat washer M6	8
DD	Bolt M8*40	4
EE	Spring Washer M8	1
FF	Flat washer M8	1
GG	Nut M8	4
HH	Allen Key Size 4	4
II	Wrench	4



Step 1: Fix the connect bar (B) to chair back (A) with bolts (AA), spring washer (BB) and flat washers (CC).

Step 2: Fix the chair base (C) to assembly the chair back (A) with bolts (DD), flat washers (FF), spring washer (EE) and nuts (GG).

Now, your chair is ready to use.