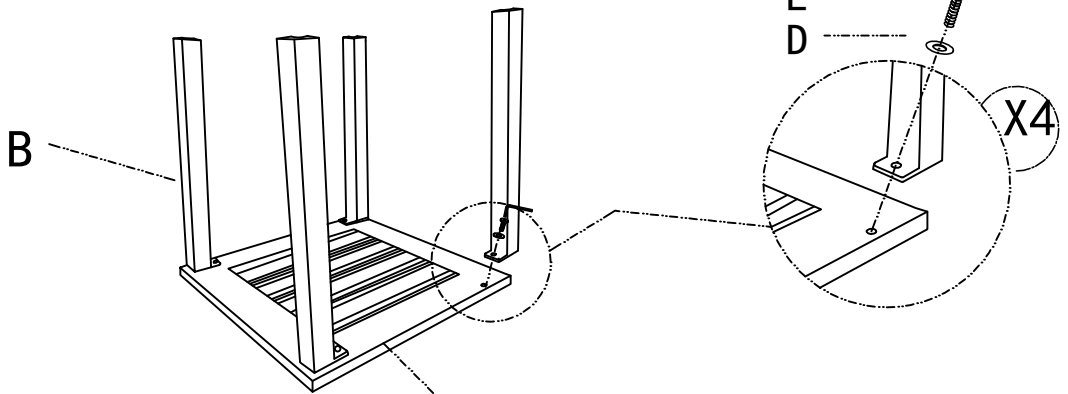
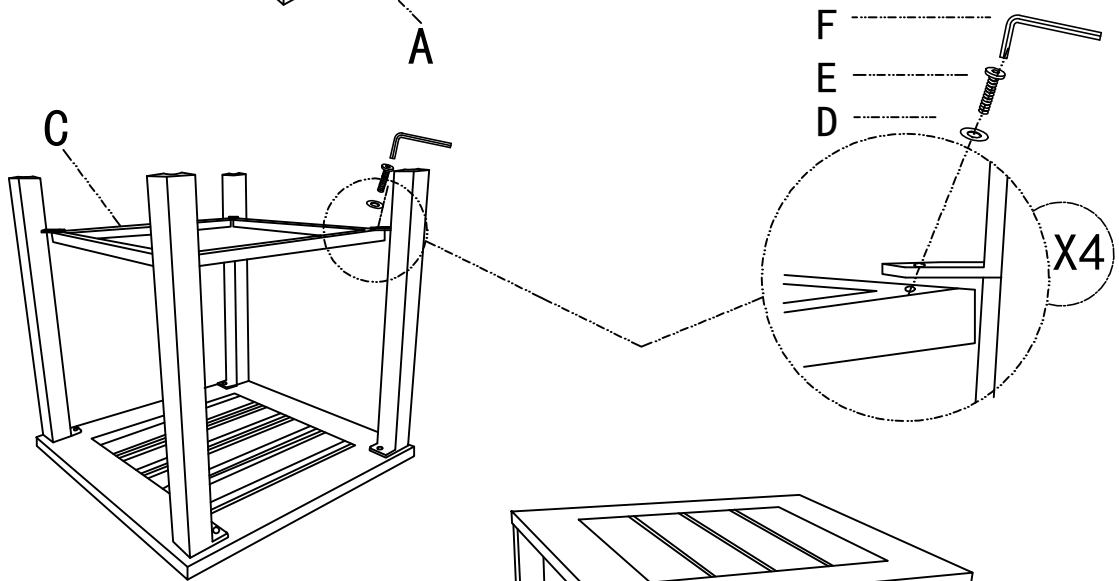


Assembly Instruction

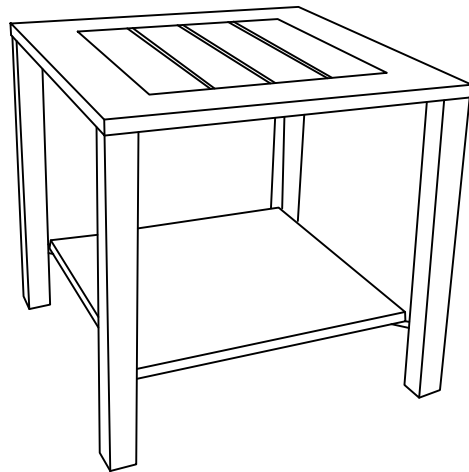
STEP:1



STEP:2



STEP:3



Item	Photo	Description	Qty	Item	Photo	Description	Qty
A		desktop	1	D		Washer (M6)	8
B		legs	4	E		Bolt(M6*15)	8
C		Under the table	1	F		Washer(M6)	1