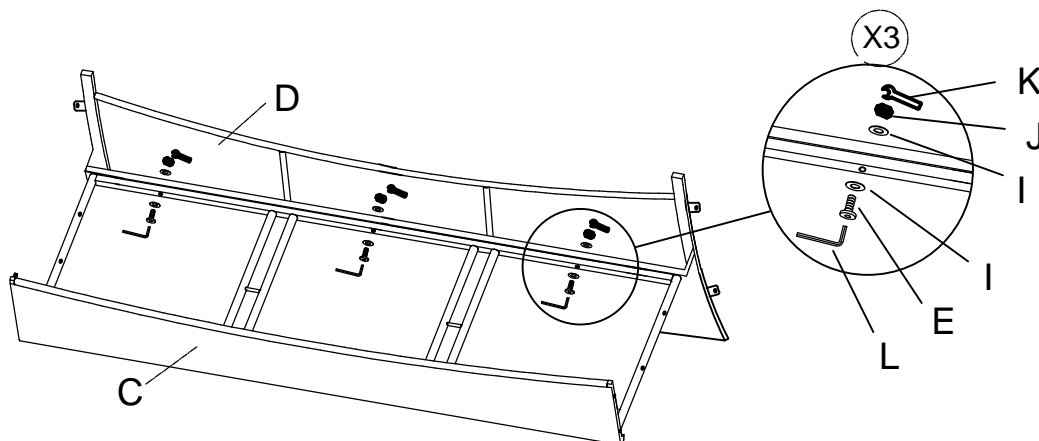
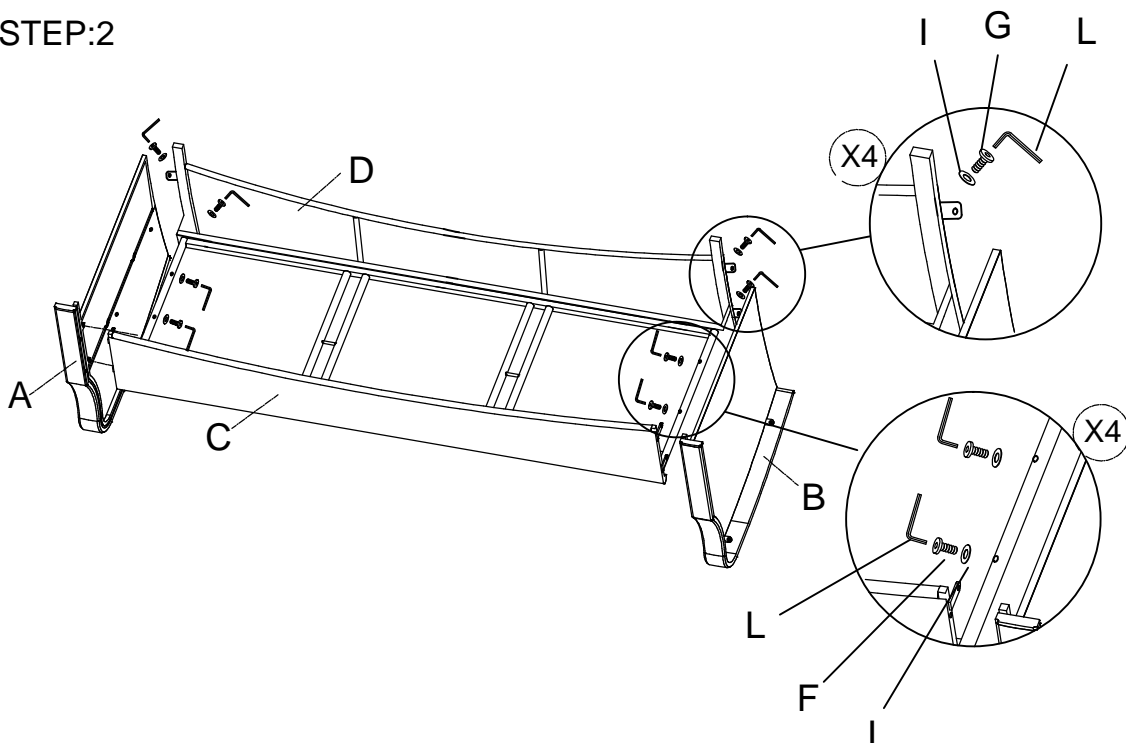


Assembly Instruction

STEP:1



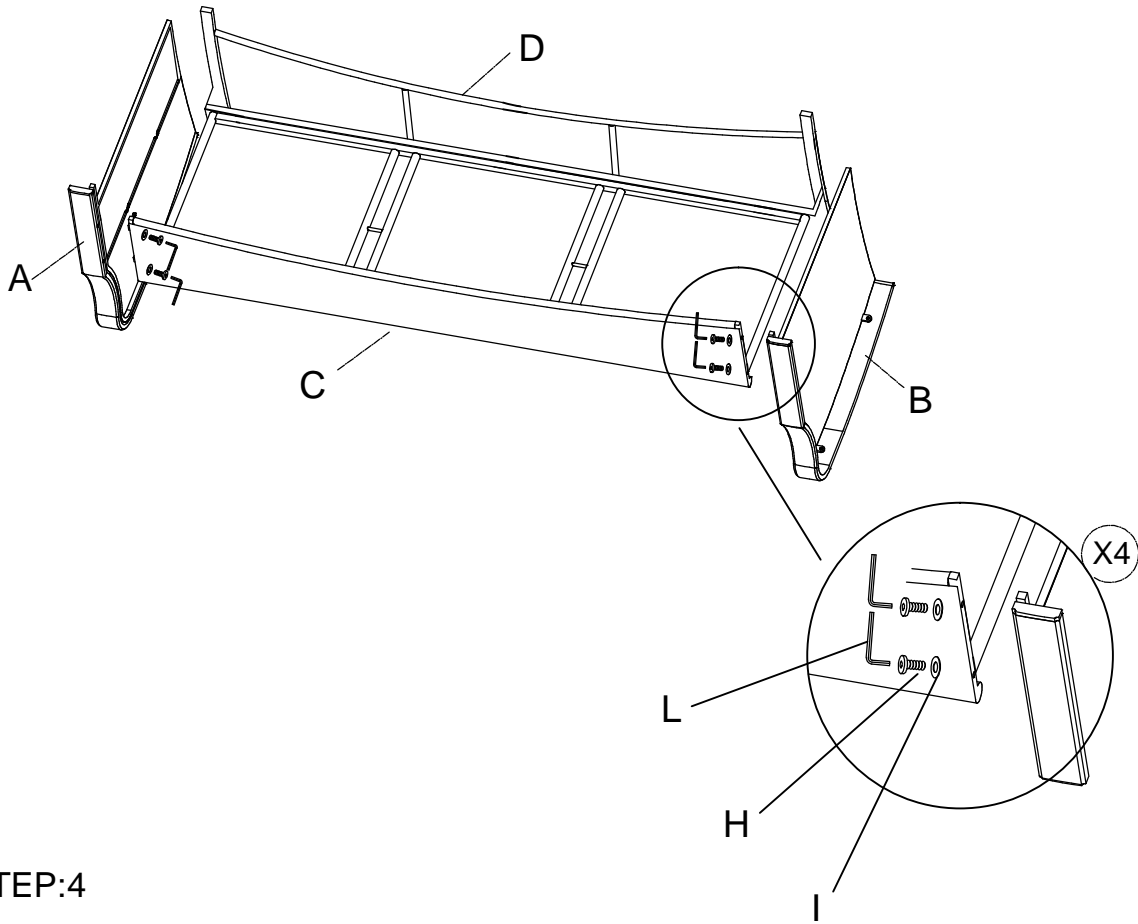
STEP:2



Item	Photo	Description	Qty	Item	Photo	Description	Qty
A		The left arm	1	G		Bolt(M6*20)	4
B		Right arm	1	H		Bolt(M6*30)	4
C		Chair face	1	I		Washer(M6)	18
D		Back of the chair	1	J		Nut(M6)	4
E		Bolt(M6*45)	3	K		Wrench (m6)	1
F		Bolt(M6*40)	4	L		Washer(M6)	1

Assembly Instruction

STEP:3



STEP:4

