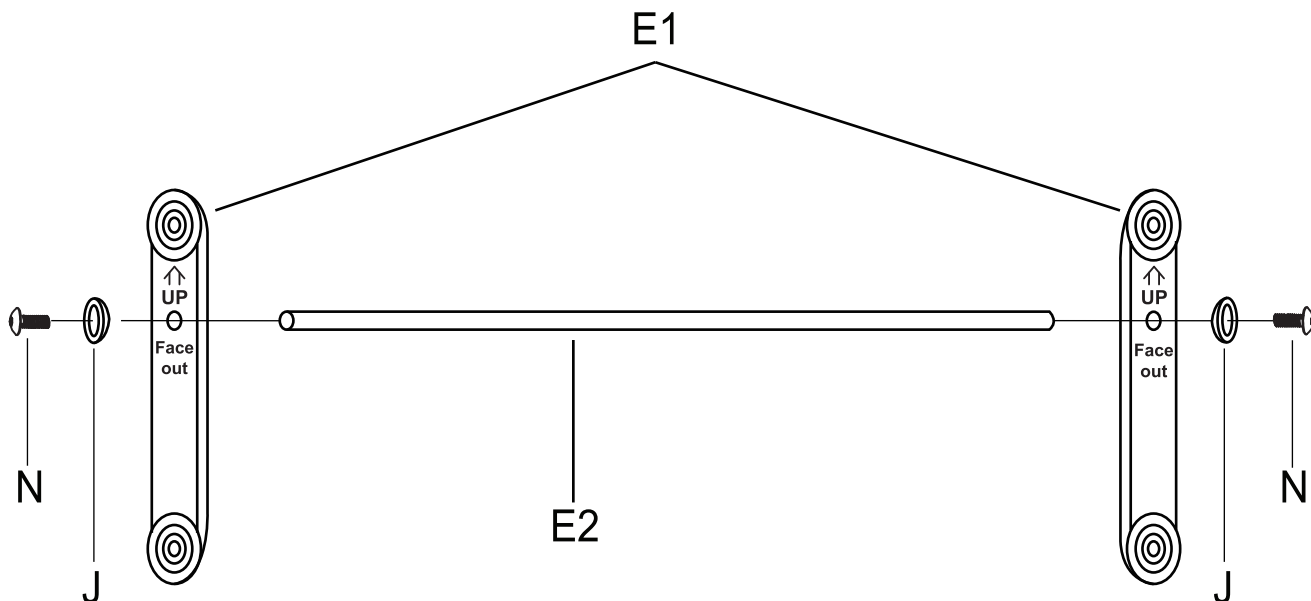


PREPARATION

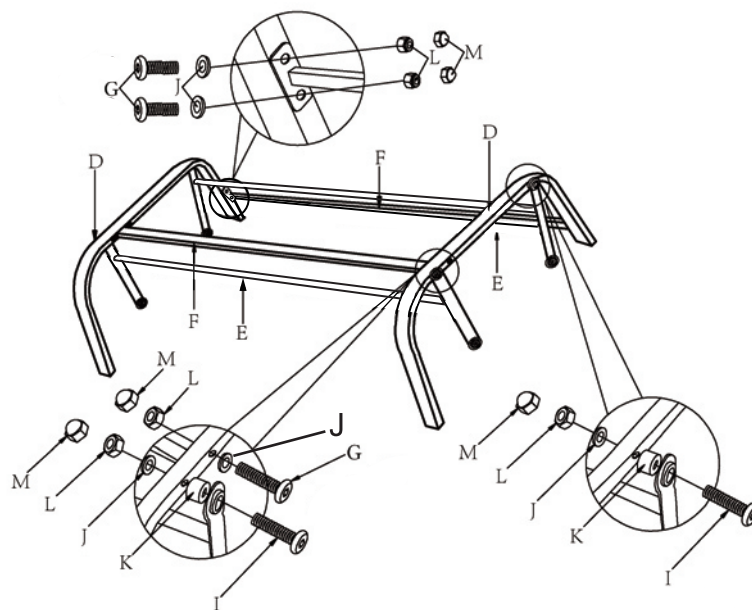
- Remove all parts from packaging. Check the parts quantity mentioned on parts list.
- Spread out all parts on a soft, level surface to avoid scratching parts.
- Do not tighten nuts with wrench until assembly is complete.

Step 1:



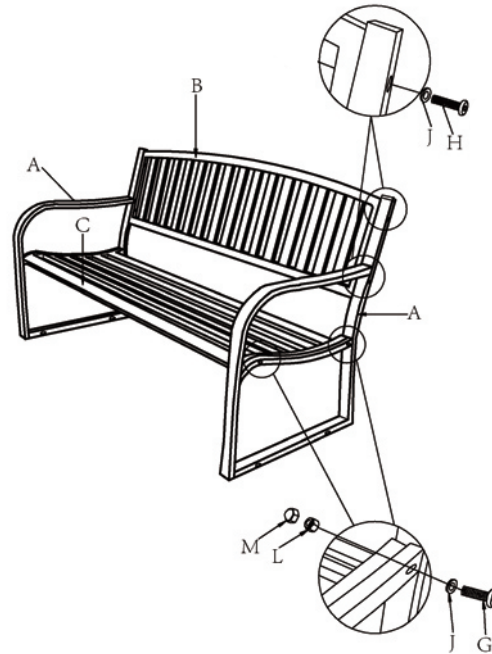
Attach ROCKING BAR (E1) to ROCKING BAR CONNECTING PIPE (E2) by using BOLT (N) and METAL WASHER (J) as shown in diagram.

Step 2



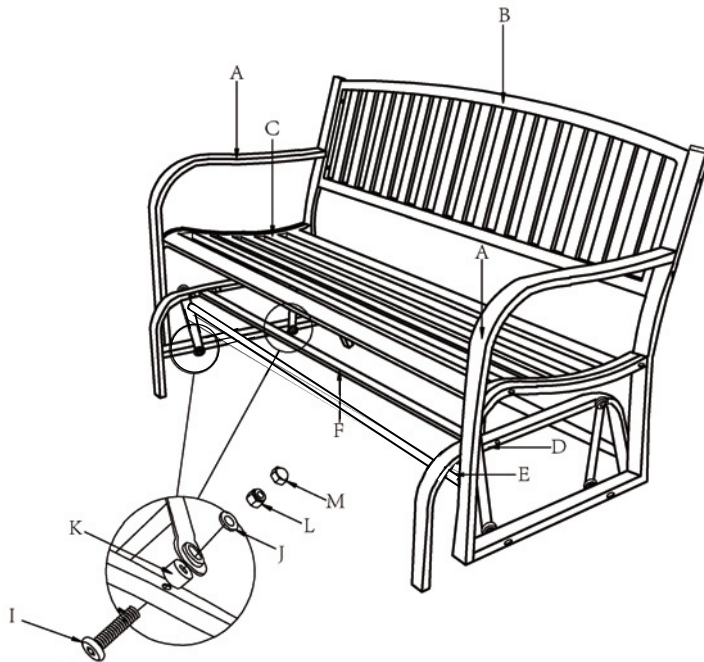
Attach ROCKING BAR (E) and BASE SUPPORT (F) to BASE LEG (D) by using BOLT (G) ,BOLT (I) , PLASTIC WASHER (K) , METAL WASHER (J) ,NUT (L) and NUT CAP (M) as shown in diagram. Then attach BASE SUPPORT (F) to BASE LEG (D) by using BOLT (G) , METAL WASHER (J) , NUT (L) and NUT CAP (M) as shown in diagram. Repeat the previous assembly on the other BASE LEG (D)

Step 3 :



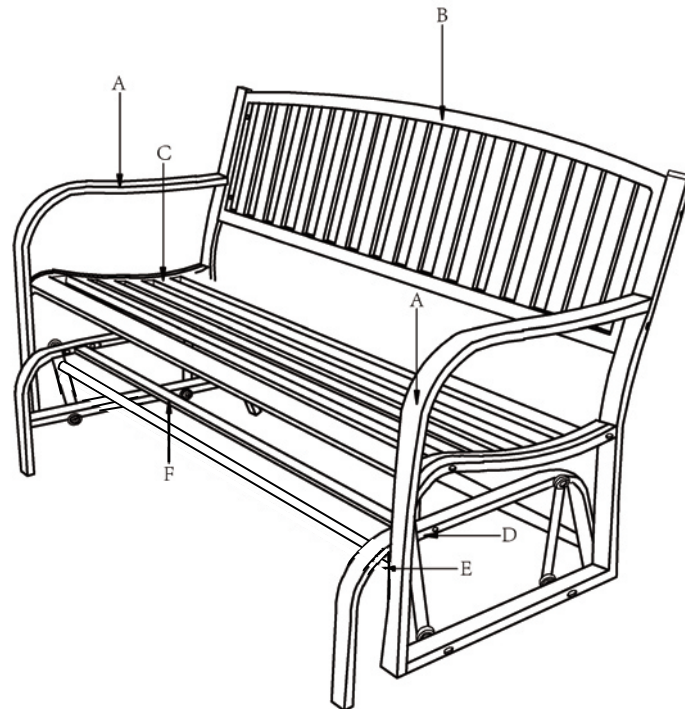
Attach SEAT (C) to ARMREST (A) by using BOLT (G) , METAL WASHER (J) , NUT (L) and NUT CAP (M) as shown in diagram. Then attached BACK (B) to ARMREST (A) by using BOLT (H) and METAL WASHER (J) as shown in diagram. Repeat the previous assembly on the other ARMREST (A)
Do not tighten bolts until SEAT and BACK are in place.

Step 4 :



Attach ROCKING BAR (E) to ARMREST (A) by using BOLT (I) , PLASTIC WASHER (K) , METAL WASHER (J) , NUT (L) and NUT CAP (M) as shown in diagram.
Repeat the previous assembly on the other ARMREST (A)

Step 5 :



TIGHTEN ALL BOLTS AND SCREWS COMPLETELY.
The bench glider is ready for use.

CARE AND MAINTENANCE

Though its powder-coated finish is rust-resistant, steel is prone to rust over time with exposure to the elements. In case of rust or scratches, lightly sand the affected area and apply touch-up paint. To maintain the finish, periodically apply wax with a soft cloth.

1 YEAR LIMITED WARRANTY

This product is warranted for 1 year against any defects in material and workmanship. If defective, the product will be repaired or replaced free of charge. Simply provide proof of purchase and return the product to your place of purchase. Normal wear or damage due to abuse, mishandling, or unauthorized repairs is not covered. The warranty does not apply to accessories. This warranty gives you specific legal rights and you may have other rights which vary from state to state.

For customer service, please call 800-737-0496, Hours of Operation: Monday-Friday 9:00 am to 4:00 pm EST or email afterservice@yahoo.com.

⚠ WARNING: This product can expose you to Lead, which is known to the State of California to cause cancer and birth defects or other reproductive harm.
For more information go to www.P65Warnings.ca.gov

Manufactured for and distributed
by True Value® Company
Chicago, IL 60631-3505
©2019 True Value Company

Four Seasons Courtyard®
is a trademark of the
True Value Company
Made in China