

**Uptown Balcony Table  
RXTV-08BCT-T  
Assembly Instructions**

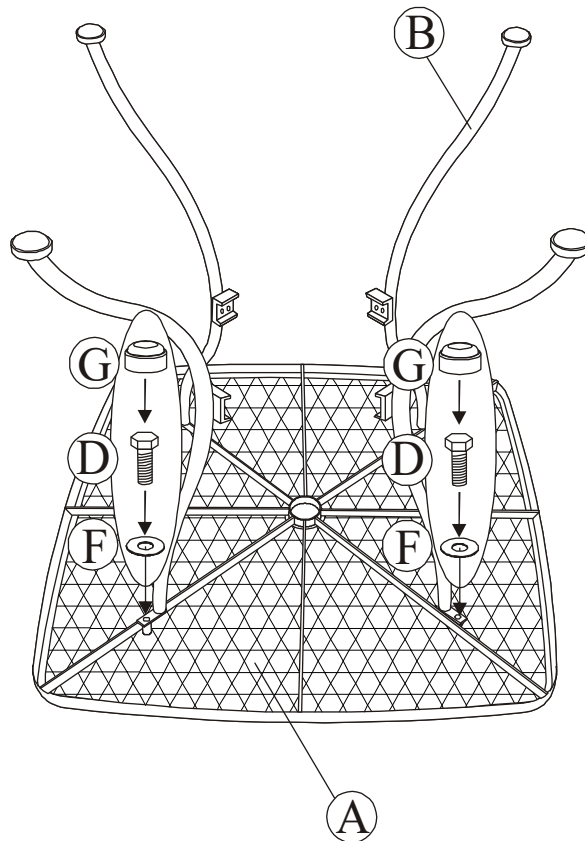
**Step 1: Remove protective wrapping and lay all parts on floor and identify all parts packed in carton against attached parts list.**

**Step 2: Lay mesh top (A) upside down on floor, so bottom is facing up.**

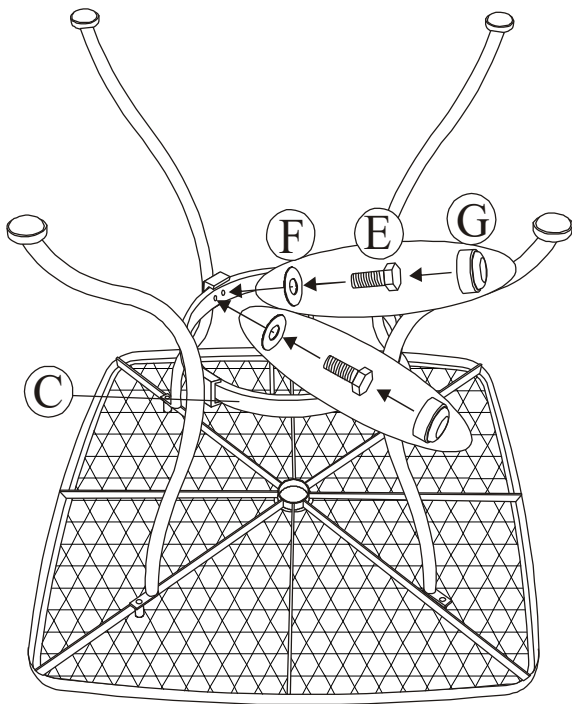
**Step 3: Then attach each of four legs (B) to the bottom as shown in photo 1, using Bolt(D) and Washer (F) and Bolt cover(G). Attach Center Ring (C) to each four legs using Bolt (E) and Washer (F) and Bolt Cover(G) as shown in photo 2.**

**Step 4: Make sure all bolts are aligned properly and tight and then place covers over bolts and nuts. Then turn table over onto its legs.**

**NOTE: IT IS USER'S RESPONSIBILITY TO MAKE SURE ALL PARTS ARE ASSEMBLED AND TIGHTENED PROPERLY AND SECURELY**



**photo 1**

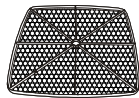
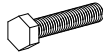

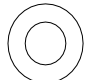


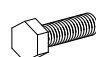



**Photo 2**



**Photo 3**

**Diagram:**

Ref	Part Name	Part Image	Qty	Ref	Part Name	Part Image	Qty
A	Table Top		1	E	Bolt		8
B	Leg		4	F	Washer (M6)		12
C	Center Ring		1	G	Bolt cover		12
D	Bolt		4	H	Hex wrench		1

**WOODARD**  
**Customer Service Hours**  
**8:00am-5:00pm CST Monday to Friday**  
**Phone: (800) 877-2290 Fax: (800) 733-4257**

PRINTED IN CHINA