

FS Uptown 3PC Chat Set - Chat Table Assembly Instructions

Step 1: Remove protective wrapping and lay all parts on floor. Identify all parts packed in carton against attached parts list.

Step 2: Lay Table Top Frame (A) upside down on floor, so bottom is facing up. Place a protective soft material on floor before placing table top face down on floor. Then attach each of four legs (B) to the bottom as shown in Diagram 1, using Bolt (D), and Washer (G) and Bolt cover (H).

Step 3: Attach Stretcher (C) to Leg (B) using Bolt (E), and Bolt (F), and Washer (G), and Bolt cover (H) as shown in Diagram 2.

Step 4: Make sure all bolts are aligned properly and tightened securely. Then place bolt covers over bolts and turn the table over onto it's legs carefully using a flat surface as shown in Diagram 3.

NOTE: IT IS USER'S RESPONSIBILITY TO ENSURE ALL BOLTS ARE TIGHTENED SECURELY.

WARNING!: TABLE IS NOT MEANT FOR SITTING. DO NOT SIT OR LEAN FULL BODY AGAINST TABLE.

Diagram 1

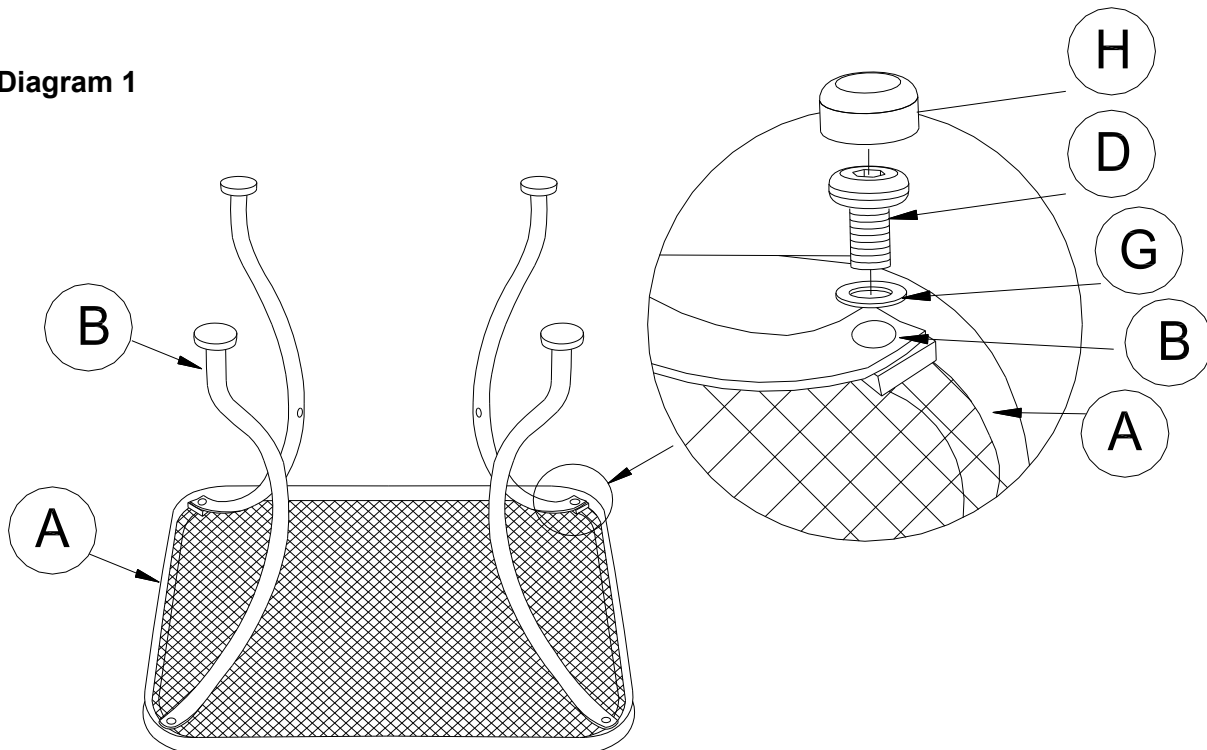


Diagram 2

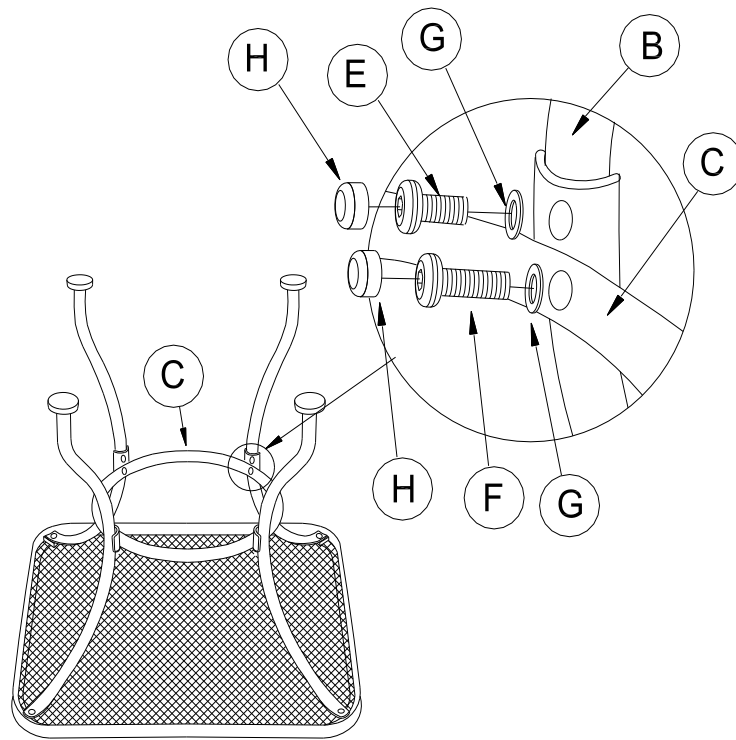
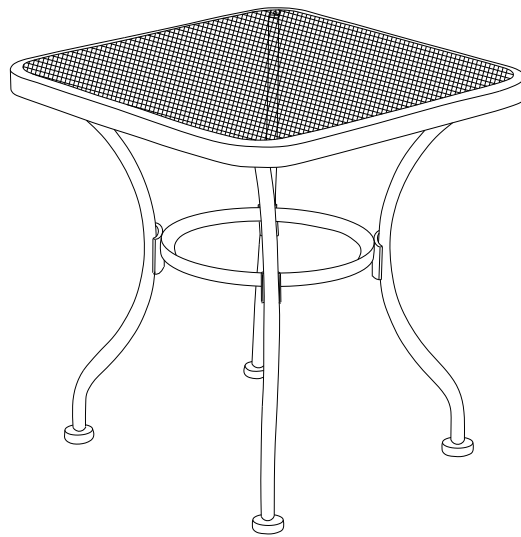

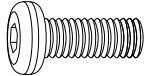

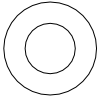
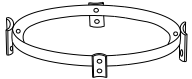
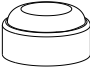
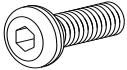

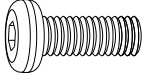


Diagram 3



Parts List:

| Ref | Part Name | Part Image | Qty | Ref | Part Name | Part Image | Qty |
|-----|-------------|---|-----|-----|--------------|---|-----|
| A | Table Top |  | 1 | F | Long Bolt |  | 4 |
| B | Table Legs |  | 4 | G | Washer (M6) |  | 12 |
| C | Strecher |  | 1 | H | Bolt Cover |  | 12 |
| D | Short Bolt |  | 4 | I | Allen Wrench |  | 1 |
| E | Middle Bolt |  | 4 | | | | |

1 YEAR LIMITED WARRANTY

This product is warranted for 1 year against any defects in material and workmanship. If defective, the product will be repaired or replaced free of charge. Simply provide proof of purchase and return the product to your placem of purchase. Normal wear or damage due to abuse, mishandling, or unauthorized repairs is not covered. The warranty does not apply to accessories. This warranty gives you specific legal rights and you may have other rights which vary from state to state.



WARNING: This product can expose you ro chemicals including Lead which are known to the State of California to cause cancer and birth defects or other reproductive harm. For more information go to www.P65Warnings.ca.gov.

Manufactured for and distributed
by True Value® Company
Chicago, IL 60631-3505
©2019 True Value Company

Four Seasons Courtyard®
is a trademark of the
True Value Company
Made in China

For customer service, please call 1-800-877-2290
Hours of operation: Monday-Friday 8:00am - 5:00pm CST
Email: retail3@woodard-furniture.com