

FS Stonington 7 PC Set - Swivel Rocker Assembly Instructions

Step 1: Remove protective wrapping and lay all parts on floor. Identify all parts packed in carton against attached parts list.

Step 2: Attach T-Shape Bracket (Swivel Mechanism) (C) to Brace (B) by first aligning the paired holes in the rectangular springs to the paired holes in the Brace (B), and then placing Steel Plate Bracket (N) over Spring and Brace. Attach all three parts together as shown in Diagram 1, using Bolt (F), Washer (H), Spring Washer (I), Nut (J), Nut Cover (M), Bolt Cover (L).

Step 3: Lay Seat Bucket (A) upside side on ground. Attach each side of Brace (B) to bottom of the two stretcher bars located at the sides under the seat of the Seat Bucket (A) as shown in Diagram 2, using Bolt (E), Washer (G) and Bolt Cover (K).

Step 4: Make sure all bolts are aligned properly and tightened securely. Then place Nut Covers (M) and Bolt Covers (K,L) over nuts and bolts. Afterwards, place Base (D) in upright position. Then lift Seat Bucket from ground and then insert T-Bar's long round tube into opening in the Base as shown in Diagram 3. Be sure the tube is fully inserted and balanced.

NOTE: IT IS USER'S RESPONSIBILITY TO MAKE SURE ALL PARTS ARE ASSEMBLED AND TIGHTENED PROPERLY AND SECURELY.

Diagram 1

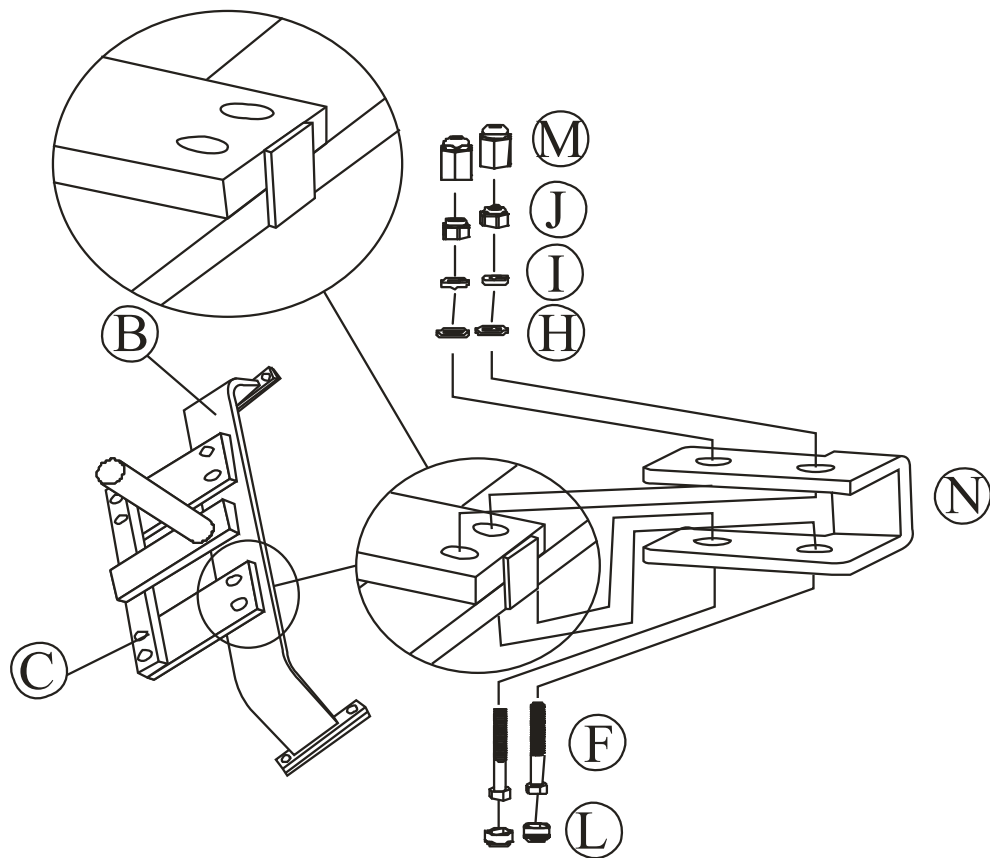


Diagram 2

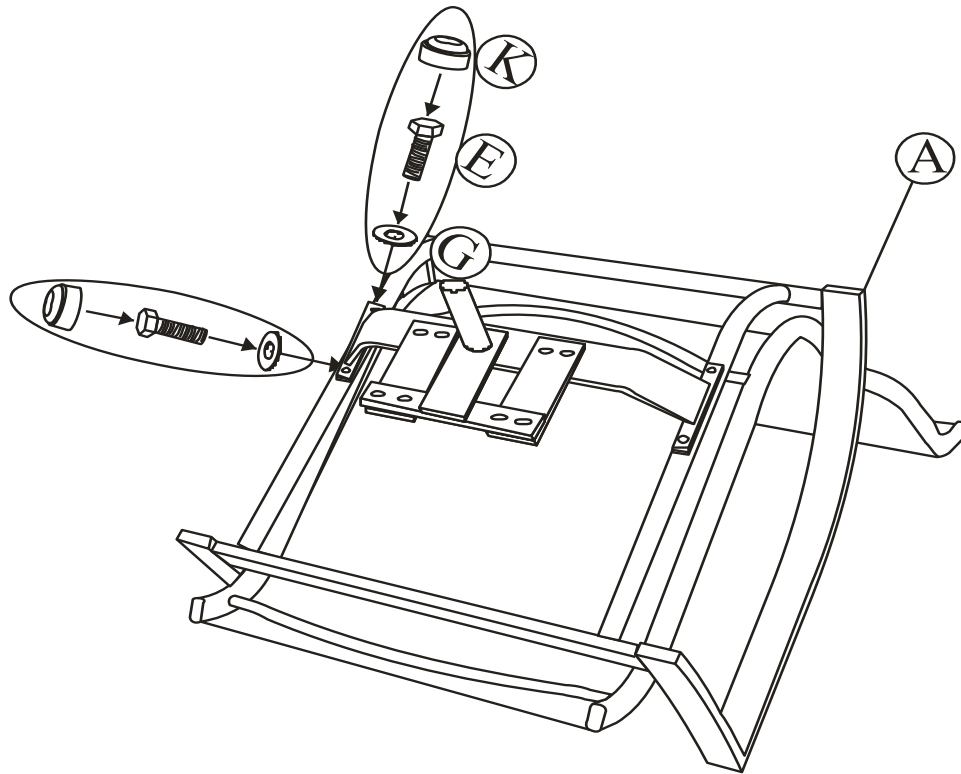
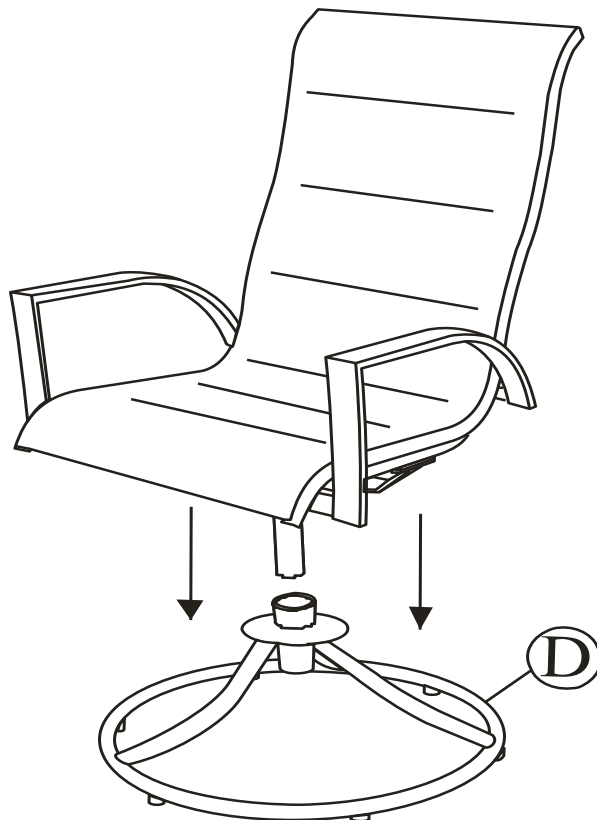

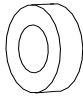
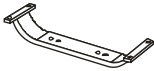
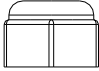
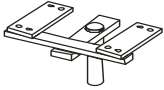

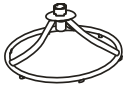

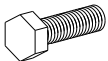
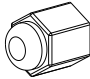
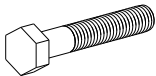

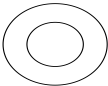

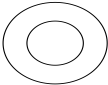
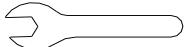


Diagram 3



Parts List:

Ref	Part Name	Part Image	Qty	Ref	Part Name	Part Image	Qty
A	Seat Bucket		1	I	Spring Washer		4
B	Brace		1	J	Nut		4
C	T-Shape Bracket (Swivel Mechanism)		1	K	Bolt Cover (M6)		4
D	Base		1	L	Bolt Cover (M8)		4
E	Bolt (M6)		4	M	Nut Cover		4
F	Bolt (M8)		4	N	Steel Plate Bracket		2
G	Washer (M6)		4	O	Hex Wrench (M6)		1
H	Washer (M8)		4	P	Hex Wrench (M8)		2

1 YEAR LIMITED WARRANTY

This product is warranted for 1 year against any defects in material and workmanship. If defective, the product will be repaired or replaced free of charge. Simply provide proof of purchase and return the product to your place of purchase. Normal wear or damage due to abuse, mishandling, or unauthorized repairs is not covered. The warranty does not apply to accessories. This warranty gives you specific legal rights and you may have other rights which vary from state to state.



WARNING: This product can expose you to chemicals including Lead which are known to the State of California to cause cancer and birth defects or other reproductive harm. For more information go to www.P65Warnings.ca.gov.

Manufactured for and distributed by True Value® Company
Chicago, IL 60631-3505
©2019 True Value Company

Four Seasons Courtyard® is a trademark of the True Value Company
Made in China

For customer service, please call 1-800-877-2290
Hours of operation: Monday-Friday 8:00am - 5:00pm CST
Email: retail3@woodard-furniture.com