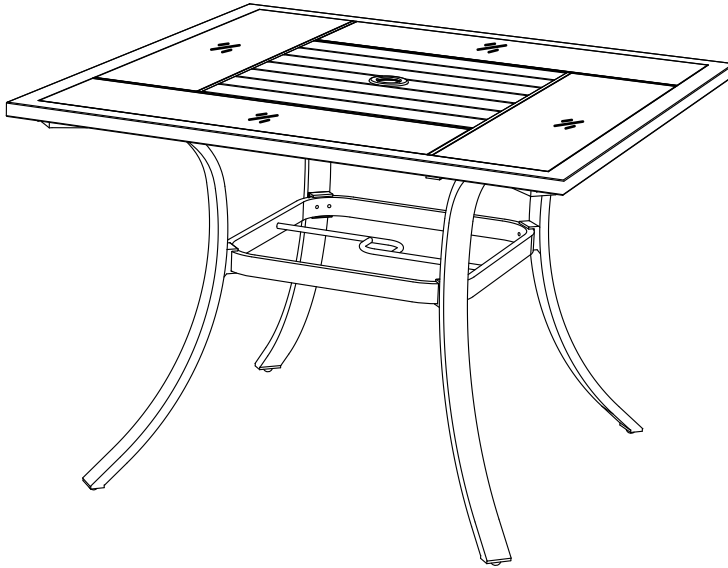


CATALINA SQUARE DINING TABLE

ASSEMBLY INSTRUCTIONS INSTRUCCIONES DE MONTAJE

Item Number: 212309 | Model Number: 721.056.004



ATTENTION: PLEASE DO NOT RETURN THIS PRODUCT TO THE STORE. PLEASE CONTACT OUR CUSTOMER SERVICE DEPARTMENT FOR HELP AT 855-259-5097.

ATENCIÓN: POR FAVOR NO DEVUELVA ESTE PRODUCTO A LA TIENDA. POR FAVOR CONTACTAR CON NUESTRO SERVICIO AL CLIENTE DEPARTAMENTO DE AYUDA AL 855-259-5097.



READ & SAVE BELOW INSTRUCTIONS BEFORE ASSEMBLY

1. PLEASE SEPARATE AND IDENTIFY ALL PARTS, MAKING SURE THAT YOU HAVE ALL OF THE PARTS LISTED.
2. TO AVOID ANY SCRATCHES DURING ASSEMBLY, PLEASE ASSEMBLE ON A SOFT SURFACE.
3. PLEASE ASSEMBLE STEP BY STEP AND FOLLOW THE INSTRUCTIONS.
4. WASHERS MUST BE USED.
5. DO NOT OVERTIGHTEN BOLTS AND NUTS.
6. DO NOT COMPLETELY FASTEN EACH BOLT AND NUT UNTIL ALL THE BOLTS ARE PROPERLY ASSEMBLED.



LEA Y GUARDE POR DEBAJO DE INSTRUCCIONES ANTES DE ASAMBLEA!

1. POR FAVOR SEPARAR E IDENTIFICAR TODAS LAS PIEZAS, ASEGURÁNDOSE DE QUE USTED TIENE TODAS LAS PIEZAS ENUMERADAS.
2. PARA EVITAR CUALQUIER ARAÑAZOS DURANTE EL ARMADO, POR FAVOR ARMAR SOBRE UNA SUPERFICIE BLANDA.
3. REALICE EL MONTAJE PASO A PASO Y SEGUIR LAS INSTRUCCIONES.
4. DEBEN USARSE LAVANDERAS.
5. NO APRIETE DEMASIADO LOS TORNILLOS Y LAS TUERCAS.
6. NO TOTALMENTE SUJETE CADA TORNILLO Y LA TUERCA HASTA QUE TODOS LOS TORNILLOS ESTÁN BIEN MONTADOS.

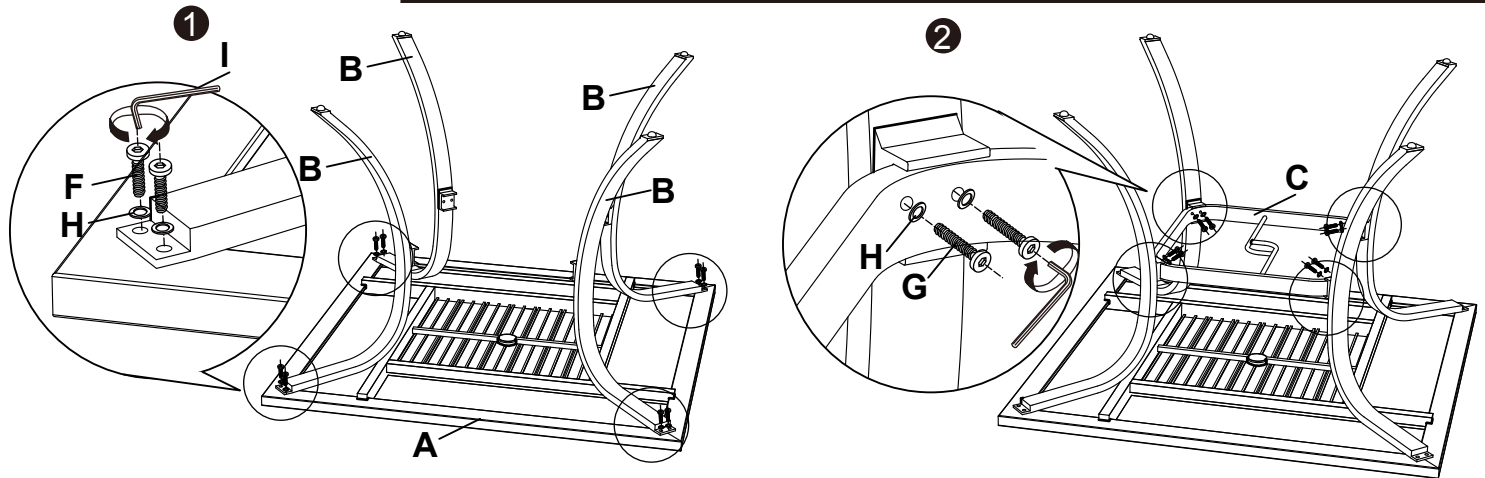
PARTS LIST/LISTA DE PIEZAS

CODE	PARTS	QTY.
A		1PC
B		4PCS
C		1PC
D		4PCS
E		1PC

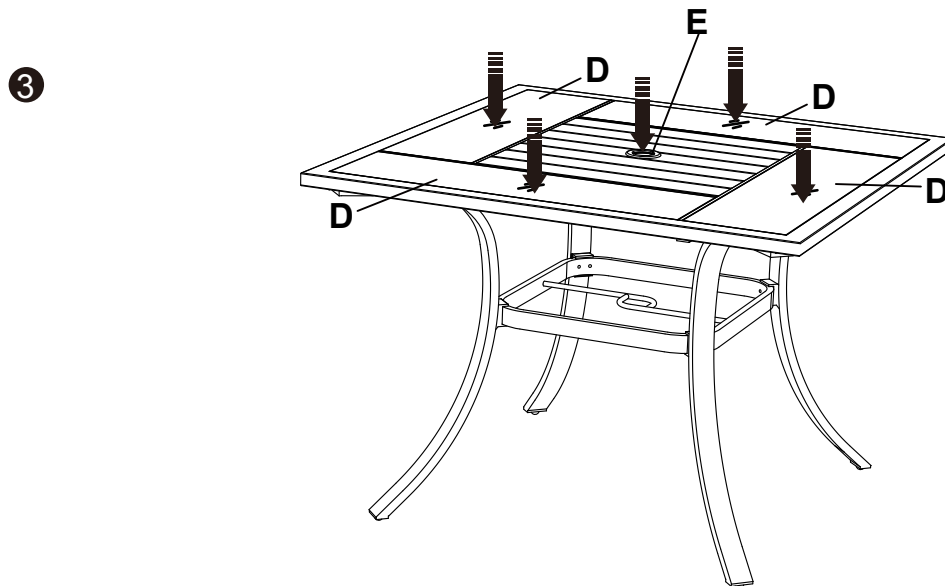
HARDWARE LIST/LISTA DE HARDWARE

CODE	PARTS	QTY.
F		8PCS
G		8PCS
H		16PCS
I		1PC

ASSEMBLY STEPS



TIP: Do not fully tighten any bolts until all bolts have been installed and are loosely threaded.



CARE AND CLEANING:

1. TO CLEAN, WIPE WITH DAMP CLOTH. DO NOT USE BLEACH, ACID SOLVENTS OR ABRASIVE CLEANERS ON RESIN WICKER OR FRAME PARTS.
2. DURING VARYING WEATHER CONDITIONS AND WINTER SEASON, WE STRONGLY RECOMMEND THAT THE FURNITURE BE STORED IN A DRY AREA WITH A SUITABLE COVER. BEFORE STORAGE, PLEASE ENSURE THE FURNITURE IS CLEAN AND DRY.
3. IF YOUR POWDER COATING BECOMES CHIPPED OR SCRATCHED AND EXPOSES BARE METAL, IT IS RECOMMENDED TO APPLY A RUST REPELLING PAINT OR VARNISH OVER THE EXPOSED AREA TO EXTEND THE LIFE OF THE PRODUCT.
4. PERIODICALLY CHECK AND ENSURE THAT ALL THE SCREWS ARE COMPLETELY TIGHTENED.
5. A MATCHING FURNITURE COVER IS STRONGLY RECOMMENDED TO EXTEND THE LIFE OF YOUR FURNITURE.

CUIDADO Y LIMPIEZA:

1. PARA LIMPIAR, LIMPIE CON UN PAÑO HÚMEDO. NO UTILICE LEJÍA, ÁCIDOS, SOLVENTES O LIMPIADORES ABRASIVOS EN EL MIMBRE O EL MARCO ARTIFICIAL PIEZAS.
2. DURANTE DIVERSAS CONDICIONES METEOROLÓGICAS Y TEMPORADA DE INVIERNO, RECOMENDAMOS FIRMEMENTE QUE LA MUEBLES MANTENERSE EN UN ÁREA SECA CON UNA CUBIERTA ADECUADA. ANTES DE ALMACENAJE, POR FAVOR ASEGURAR QUE EL MUEBLE ESTÉ LIMPIA Y SECA.
3. EN CASO DE METAL DESNUDO QUE MUESTRA POR CERO, SE RECOMIENDA TRATAR CON UN ANTIOXIDANTE REPELER BARNIZ O PINTURA SIMILAR.
4. REVISE PERIÓDICAMENTE Y ASEGURARSE DE QUE TODOS LOS TORNILLOS ESTÉN BIEN APRETADOS.
5. A TAPA DE MUEBLES A JUEGO SE RECOMIENDA PARA EXTENDER LA VIDA DE SUS MUEBLES.

WARNING:

WINDY CONDITIONS CAN CAUSE AN UMBRELLA TO TIP OVER. IF USING AN UMBRELLA WITH THIS TABLE, A HEAVY UMBRELLA BASE (SOLD SEPARATELY) MUST BE USED TO PREVENT DAMAGE TO PATIO TABLES AND THE UMBRELLA. THE UMBRELLA MUST BE CLOSED OR REMOVED WHEN NOT IN USE OR DURING WINDY CONDITIONS. THE MANUFACTURER IS NOT RESPONSIBLE FOR DAMAGES CAUSED BY UMBRELLAS TIPPING OVER DURING WINDY CONDITIONS.