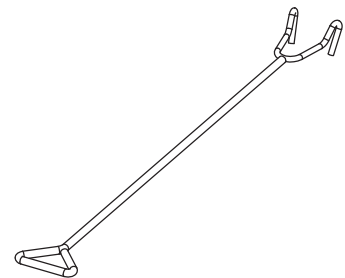
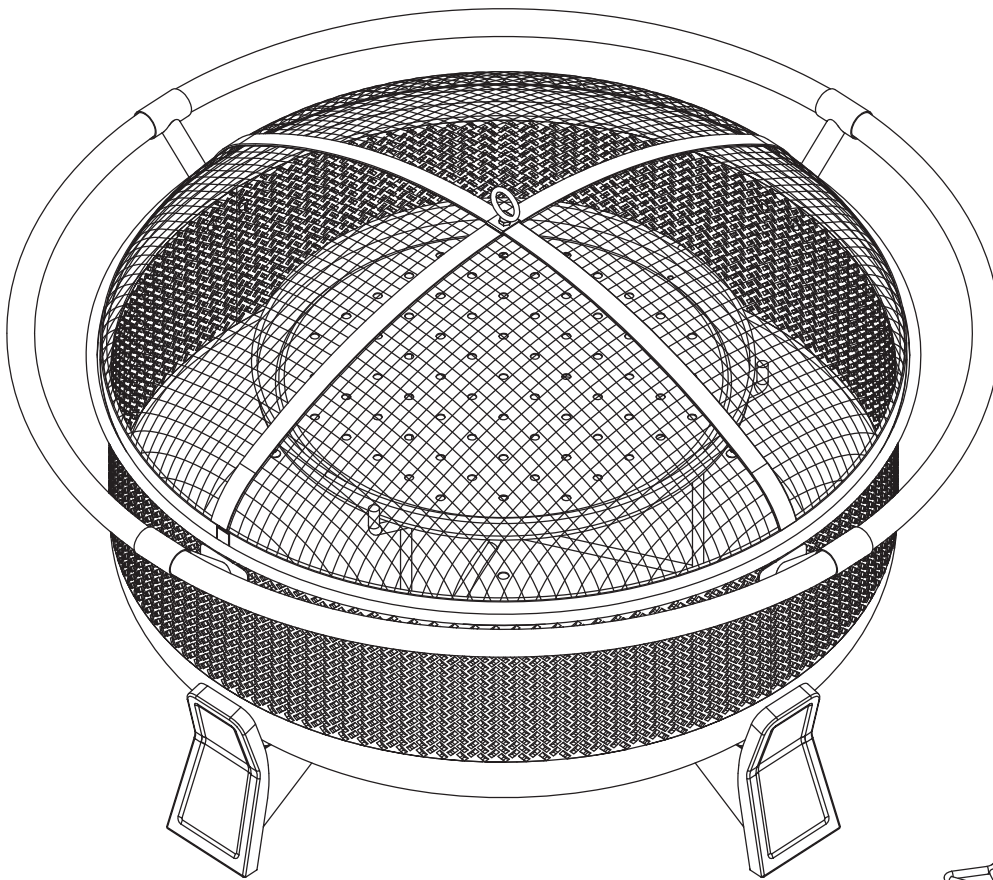


FOUR SEASONS
COURTYARD

35" FIRE PIT

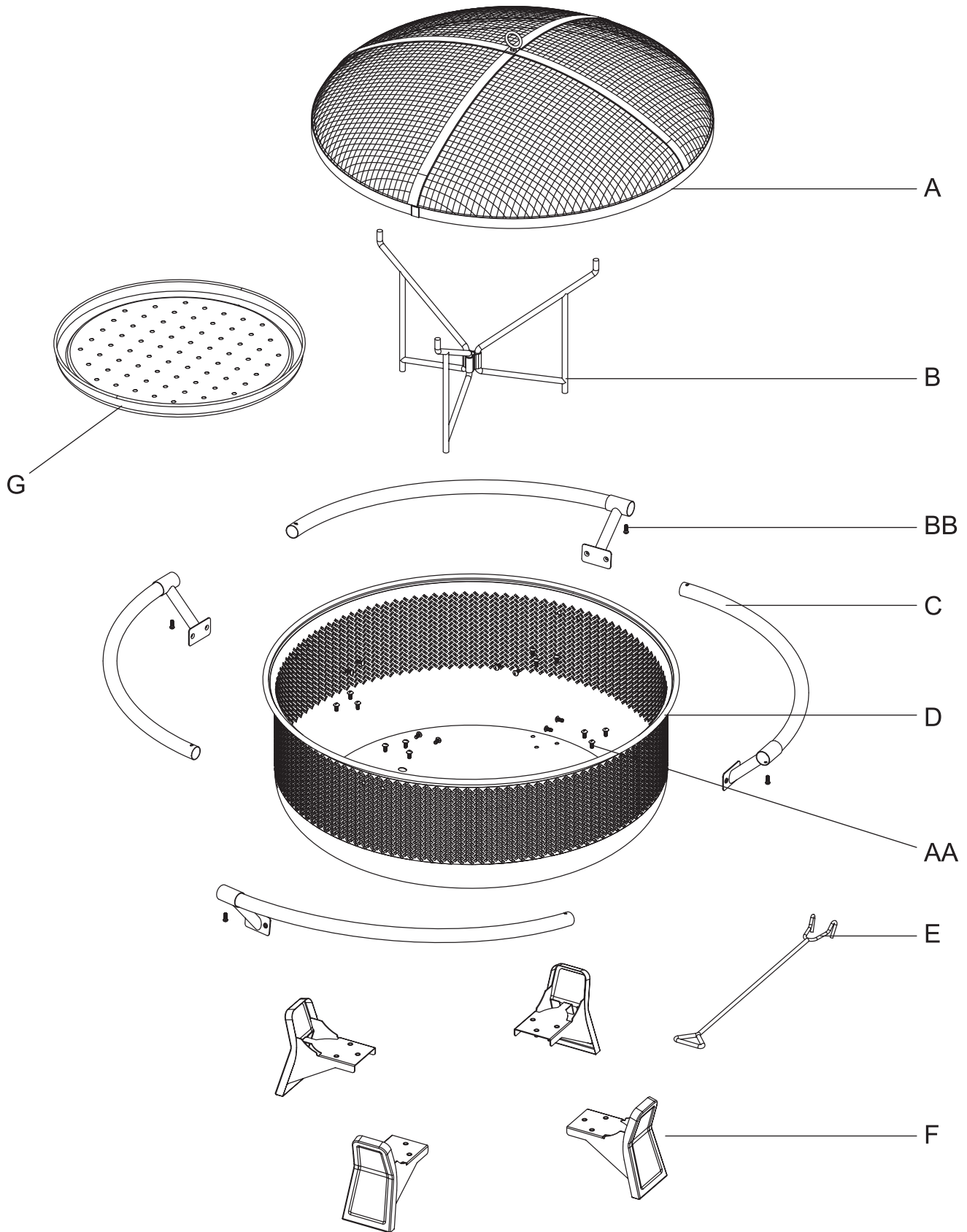
Model #: SRFP11508B

Item #: 227765



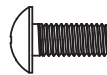
Questions, problems, missing parts? Before returning to your retailer, call our customer service department at 1-866-814-0585, 8 a.m. - 5 p.m., EST, Monday - Friday.
E-mail : customerservice@shinerichgroup.com

PACKAGE CONTENTS



HARDWARE CONTENTS

AA M5x12 Bolt



24

SAFETY INFORMATION

WARNING: TO AVOID INJURY

- FOR OUTDOOR USE ONLY
- Do not use the fire pit indoors. Lack of ventilation due to carbon monoxide fumes can cause death.
- Do not use gasoline or kerosene to start fires in the fire pit. Keep all flammable liquids away from the fire pit.
- This unit is designed to burn charcoal and untreated wood only.
- Do not use under or on combustible structures/surfaces including wooden decks.
- Use protective gloves and long-handled tools with this fire pit.
- Dispose of packaging materials properly.
- Keep children away from hot fire pit.
- Fire pit remains very hot for a period of time after using.
- Be sure fire pit is cool before attempting to move it.
- Do not burn charcoal over 1.6 lbs. or over 3 lbs. of untreated wood at one time.
- The handle of the screen hook may become hot during and after use. The fire pit should not be used on a combustible surface (including wood decks), and should be placed no closer than 24 in. from walls during use.
- Don't touch the screen ring during using until the fire is completely out and cooled down, use the screen hook to lift the screen.

CALIFORNIA PROPOSITION 65 WARNING

This product can expose you to chemicals including carbon monoxide, which is known to the State of California to cause birth defects or other reproductive harm.

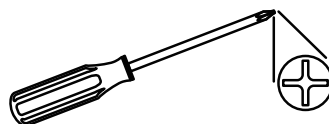
For more information, go to www.P65Warnings.ca.gov.

PREPARATION

Before beginning assembly of product, make sure all parts are present. Compare parts with package contents list and hardware contents above. If any part is missing or damaged, do not attempt to assemble the product. Contact customer service for replacement parts.

TOOLS NEEDED:

Philips screwdriver(Not included)

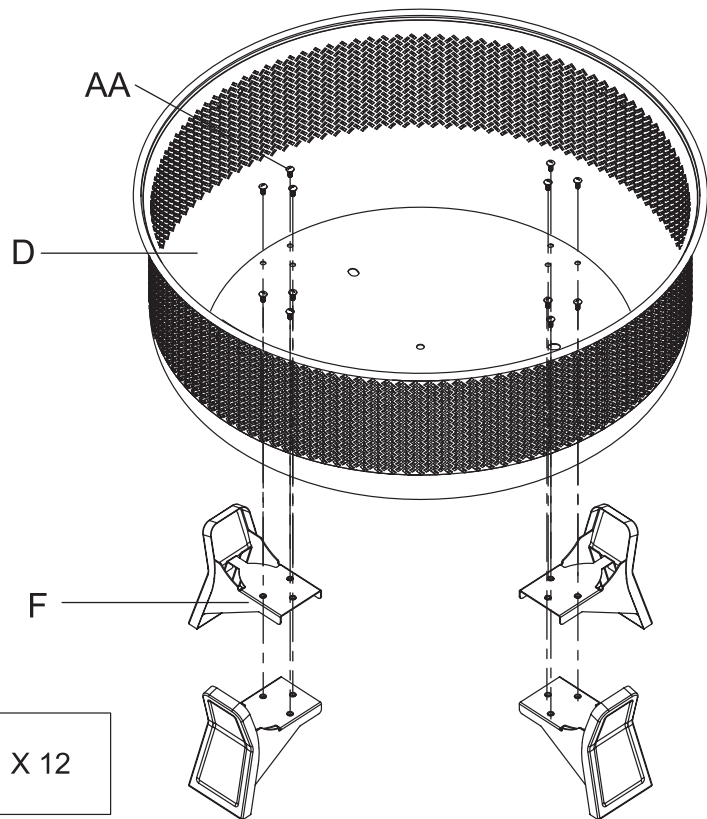


Estimated Assembly Time: 15 minutes

Assemble the fire pit on a non-abrasive surface

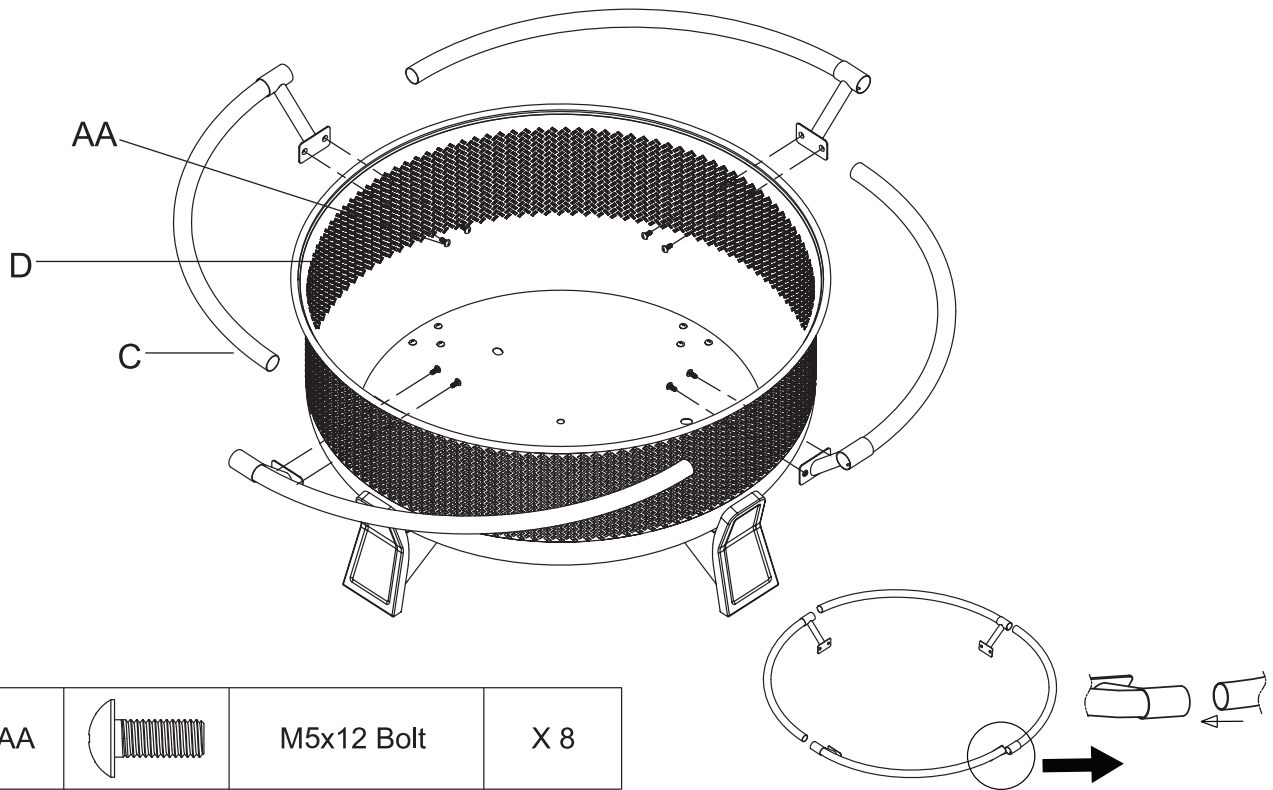
ASSEMBLY INSTRUCTION

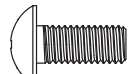
1



AA		M5x12 Bolt	X 12
----	--	------------	------

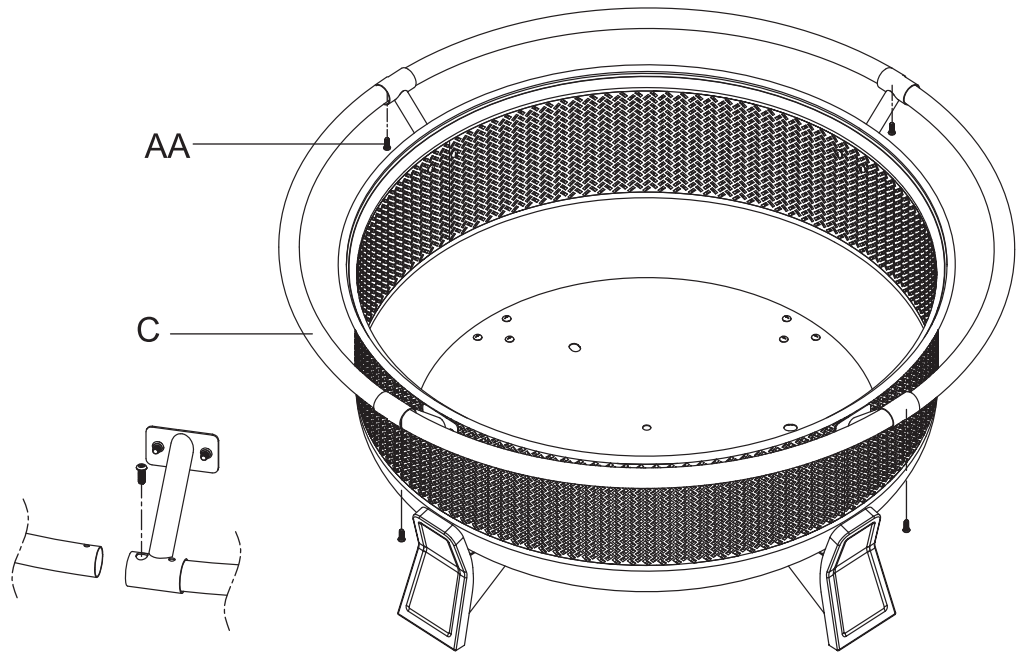
2

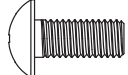


AA		M5x12 Bolt	X 8
----	---	------------	-----

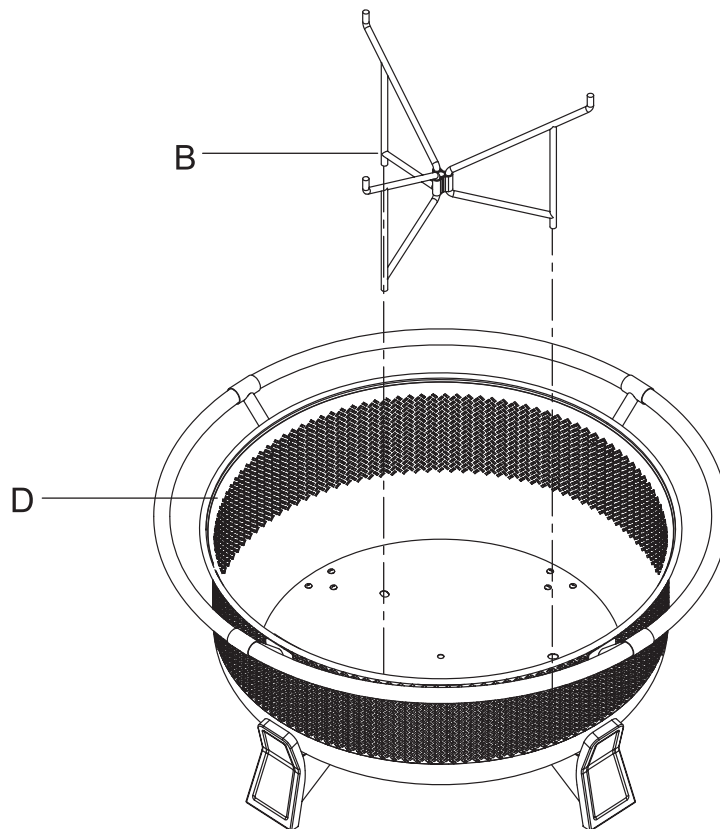
ASSEMBLY INSTRUCTION

3



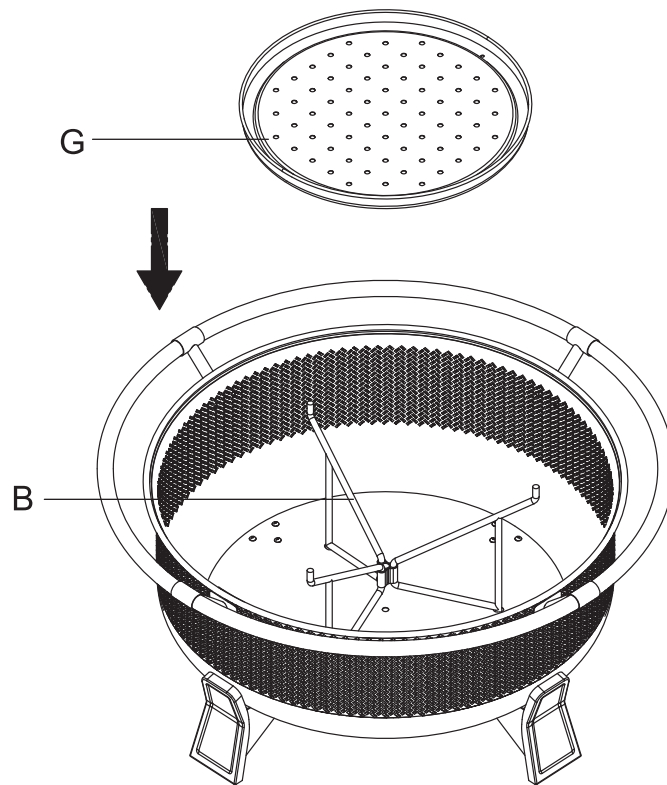
AA		M5 x 12 Bolt	X 4
----	---	--------------	-----

4

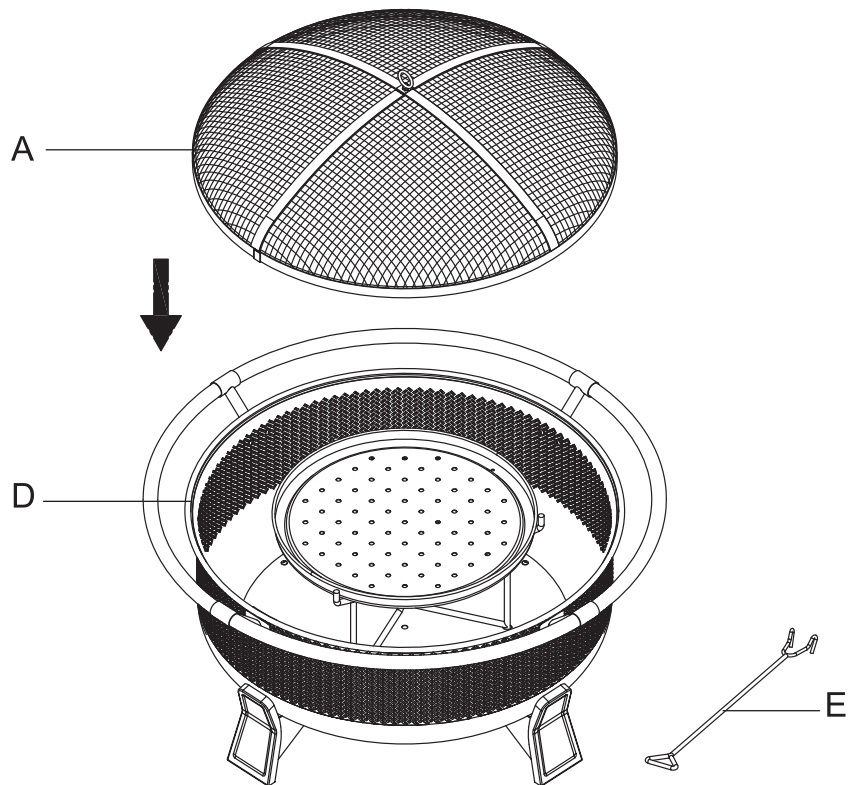


ASSEMBLY INSTRUCTION

5



6



CARE AND MAINTENANCE

Inspecting

Inspect this fire pit on a regular basis to ensure product safety and longer product life.

DO NOT attempt to inspect this outdoor fire pit until the fire is COMPLETELY out and cooled down.

- Check handles to make sure they are secure.
- Check components for any signs of damage or rust.
- If any component is damaged, do not operate until repairs are made.

Cleaning

Clean this outdoor fire pit on a regular basis to promote safer use and longer product life.

Note: After repeated use, the finish may discolor slightly.

DO NOT attempt to clean this outdoor fire pit until the fire is COMPLETELY out and cooled down.

DO NOT use oven cleaner or abrasive cleaners as they will damage this product.

DO NOT clean any part of this outdoor firepit in a self-cleaning oven as it may damage this finish.

- Wipe exterior surfaces with a mild dishwashing detergent or baking soda.
- For stubborn surfaces use a citrus-based degreaser and a nylon scrubbing brush.
- Rinse clean with water.
- Remove built-up creosote from components with a chimney cleaning product.

Storage

DO NOT move or store this outdoor fire pit until the fire is COMPLETELY out and cooled down.

- Once the fire is out, coals are cold and outdoor fire pit is cool to touch, remove ashes and properly dispose.
- Store this outdoor fire pit in a dry location to maximize product life.
- Store assembled in a location away from children and pets.

ONE-YEAR LIMITED WARRANTY

- The appliance has been manufactured under the highest standards of quality and workmanship. We warrant to the original consumer/purchaser that all aspects of this product will be free of defects in material and workmanship for one (1) year from the date of purchase. A replacement for any defective part will be supplied free of charge for installation by the consumer. Defects or damage caused by the use of other than genuine parts are not covered by this warranty. This warranty shall be effective from the date of purchase as shown in the purchaser's receipt.
- This warranty is valid for the original consumer/purchaser only and excludes industrial, commercial or business use of the product, product damage due to shipment or failure which results from alteration, product abuse, or product misuse, whether performed by a contractor, service company, or consumer. We will not be responsible for labor charges and/or damage incurred in installation, repair or replacement, nor for incidental or consequential damage. This warranty gives you specific rights, and you may also have other rights that vary from state to state.