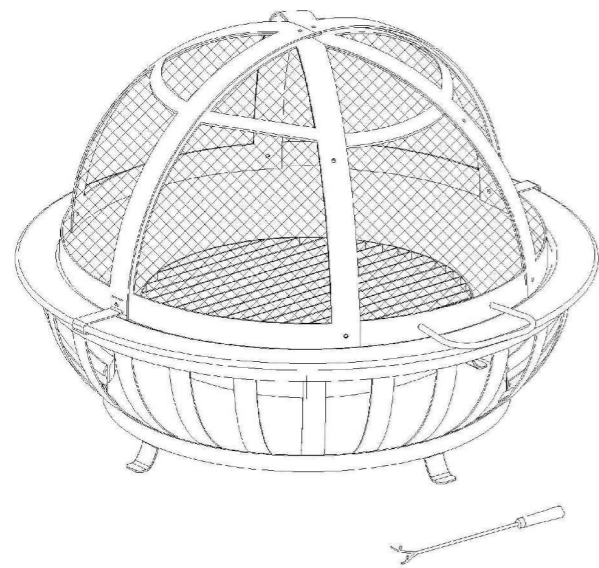
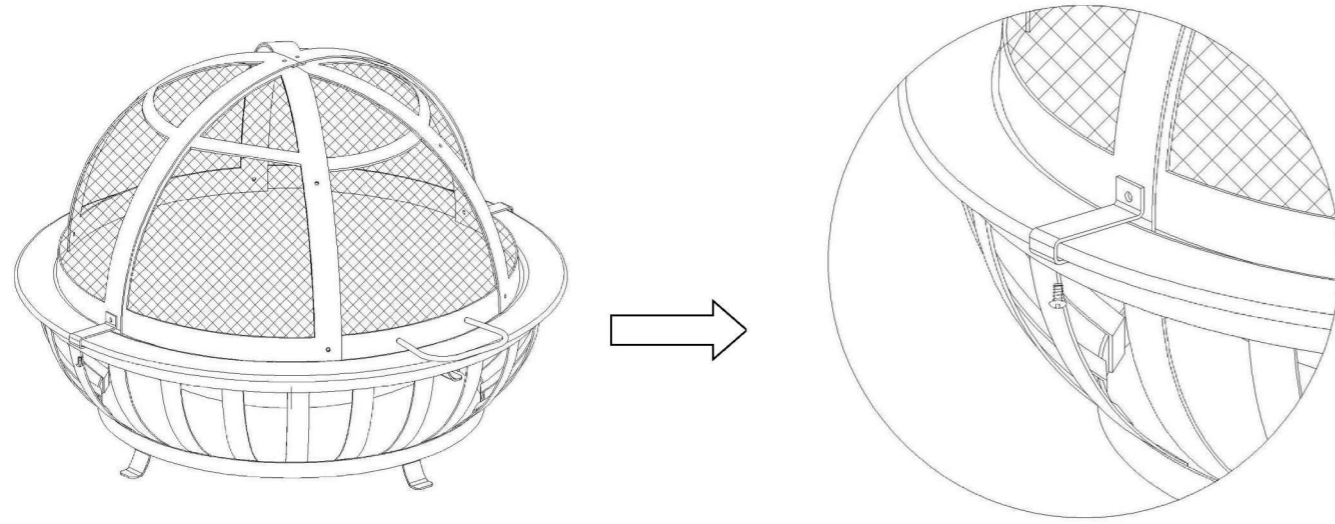


Step 5: Align the screen on top of the copper bowl. Clamp the spark guard to the copper bowl by tightening Bolt(J).



Your fire pit is ready for use now!

Assembly Instructions

SKU# : 186778

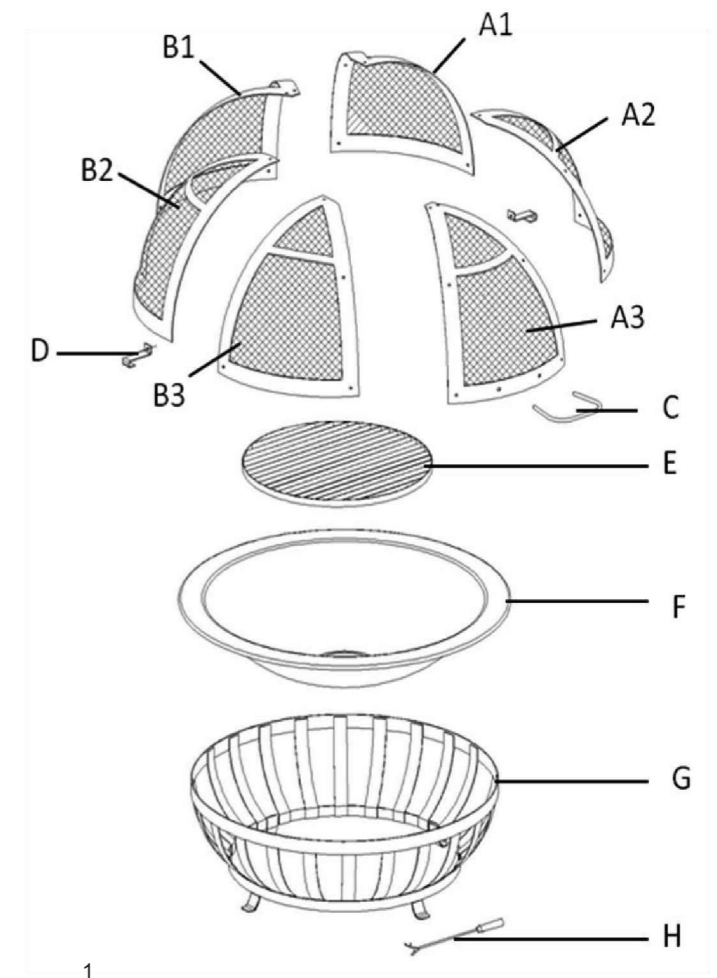
Product Name: FS 40" COP Fire Pit

WARNINGS:

- This fire bowl is intended for outdoor use only. Do not use on wooden decks.
- This fire bowl is intended to burn wood logs only. Do not burn coal, leaves, or other combustible materials in the fire bowl.
- Not for use by children. Keep children and pets away from the fire bowl.
- The fire bowl is hot. Use with caution. Do not touch the hot fire bowl with bare hands.
- Never leave the burning fire bowl unattended, and always extinguish the fire completely before leaving the fire bowl.
- Do not use near flammable or combustible objects or materials.
- Do not burn over 5 lbs untreated wood or fire logs in this fire pit.
- When the fire bowl is in use, the handle on the mesh screen can reach extreme temperatures that can cause serious injury to an unprotected hand. Use a poker or an appropriate heat resistant glove or pad when handling.
- Fuels used in wood or charcoal burning appliances, and the product combustion of such fuels, contain chemicals known to the State of California to cause cancer and birth defects or other reproductive harm.
- Check local fire regulations and municipal by-laws for safe use.

FIRE PIT PARTS LIST

No.	PARTS	Qty
A1	Small left screen panel	1
A2	Small middle screen panel	1
A3	Small right screen panel	1
B1	Large left screen panel	1
B2	Large middle screen panel	1
B3	Large right screen panel	1
C	Handle	1
D	Metal lock clamps	4
E	Log grate	1
F	Copper bowl	1
G	Base frame	1
H	Poker	1



HARDWARE LIST

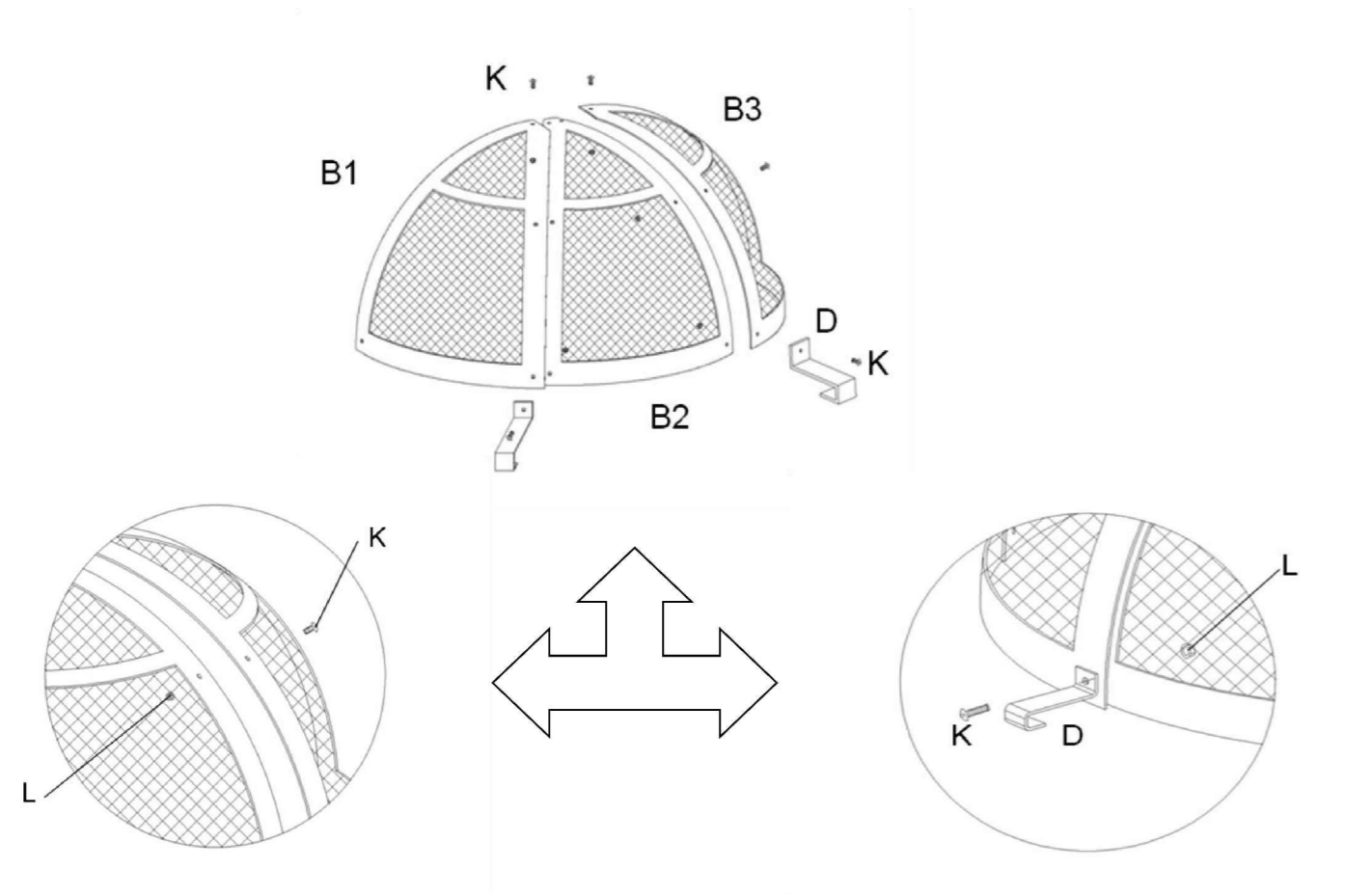
NO.	PARTS	QTY
I	M6*30 Bolt	2
J	M6*18 Bolt	4
K	M6*12 Bolt	14
L	M6 Nut	14

Note: You will need a screwdriver and wrench to complete the assembly.

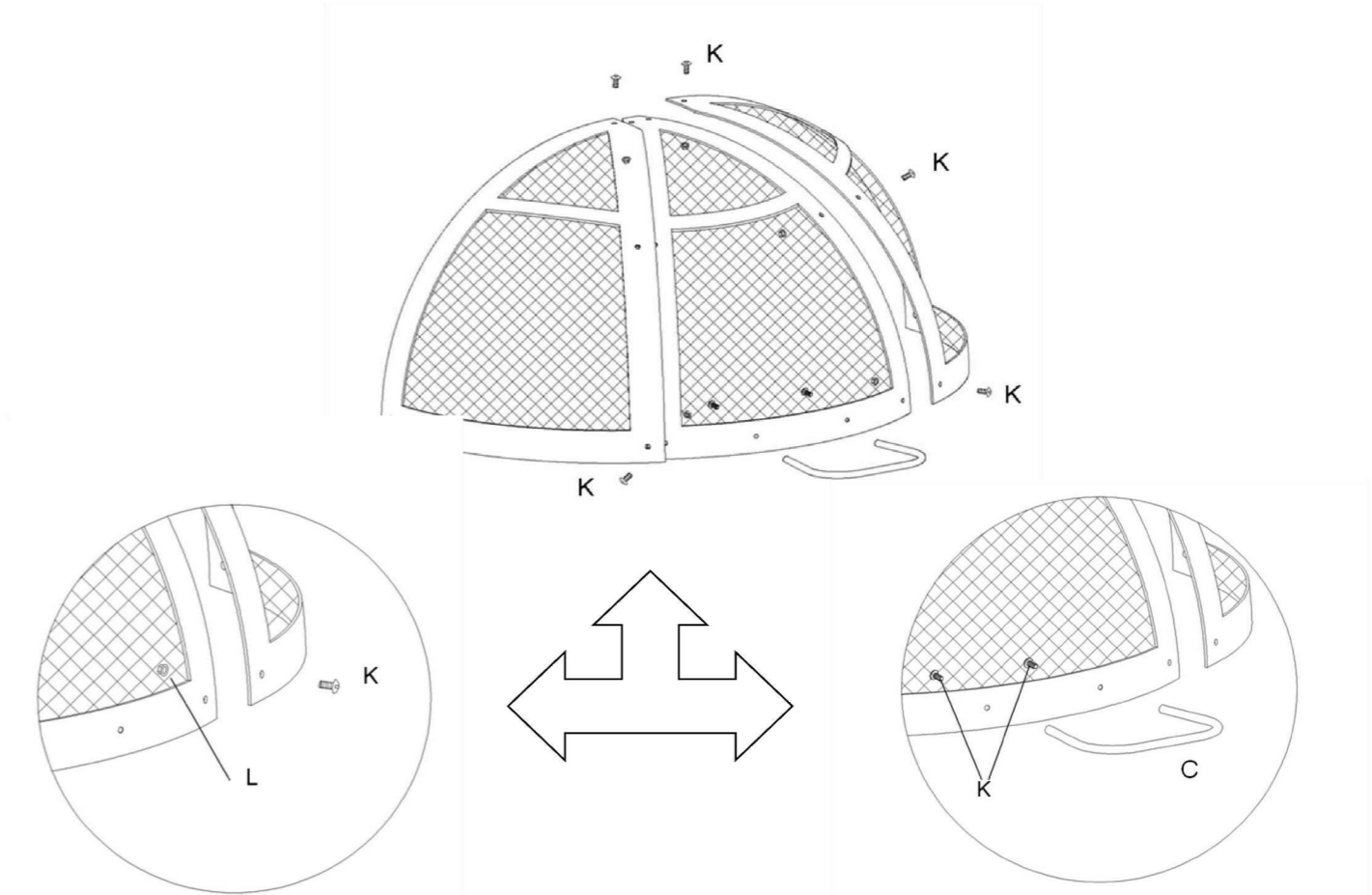
Step By Step Assembly Instructions:

Step 1: Choose a level location for assembly. Remove all parts from packaging , check parts list for missing parts.

Step 2: Assemble the Large screen panels(B1,B2,B3) by using bolt(K) and Nut(L). Assemble two lock clamps(D) also by using bolt(K) and Nut(L).



Step 3: Assemble the Small screen panels(A1,A2,A3) by using Bolt(K) and Nut(L). Insert the Handle(C) to the small middle screen by using Bolt(K) and tighten.



Step 4: Connect small and large screens with Metal lock clamps (D) by using Bolt(I) and Nut(L).

