



Instruction Manual

SKU#242974 Product Name: 30" Square Slate Fire Pit Table (FTB-3098A)

PLEASE READ AND UNDERSTAND THIS ENTIRE MANUAL BEFORE ATTEMPTING TO ASSEMBLE, OPERATE OR INSTALL THE PRODUCT.

WARNINGS:

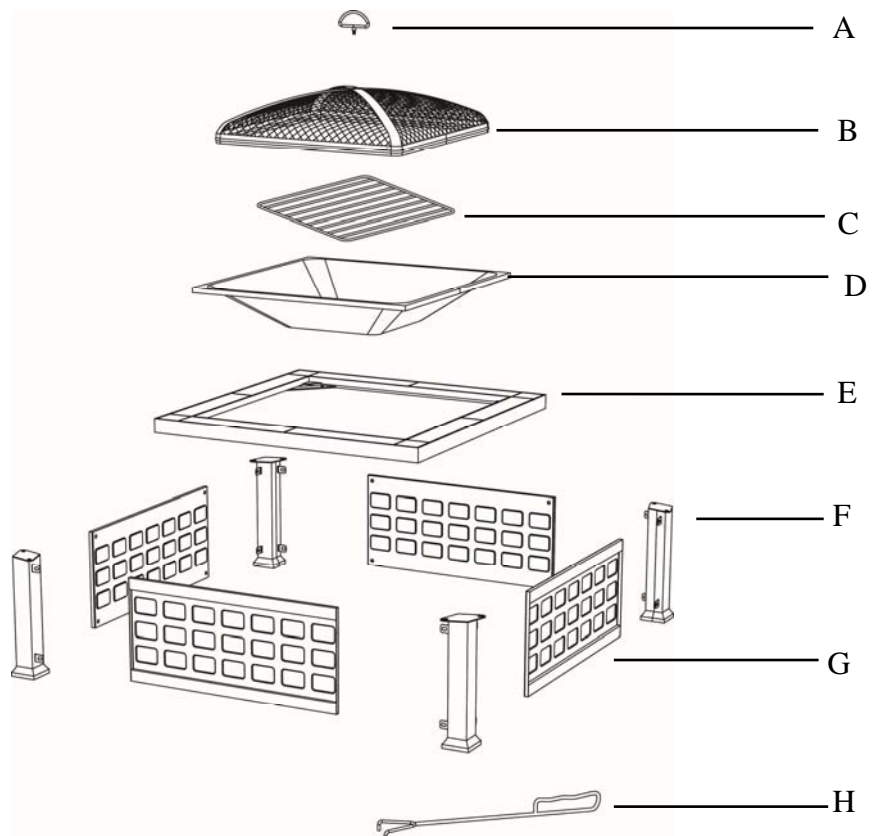
- This fire bowl is intended for outdoor use only. Do not use on wooden decks.
- This fire bowl is intended to burn wood logs only. Do not burn coal, leaves, or other combustible materials in the fire bowl. Do NOT burn over 5lbs untreated wood or fire logs in this fire pit.
- Not for use by children. Keep children and pets away from the fire bowl.
- The fire bowl is hot. Use with caution. Do not touch the hot fire bowl with bare hands.
- Never leave the burning fire bowl unattended, and always extinguish the fire completely before leaving the fire bowl.
- Do not use near flammable or combustible objects or materials.
- When the fire bowl is in use, the handle on the mesh screen can reach extreme temperatures that can cause serious injury to an unprotected hand. Use a poker or an appropriate heat resistant glove or pad when handling.
- Check local fire regulations and municipal by-laws for safe use.
- Ensure all ashes are completely cool before removal.
- Some parts may contain sharp edges—especially as noted in the manual. Wear protective gloves if necessary.

FIRE PIT PARTS LIST

No.	PARTS	Qty
A	Handle	1
B	Mesh cover	1
C	Wood grate	1
D	Fire bowl	1
E	Slate top	1
F	Leg	4
G	Panel	4
H	Poker	1

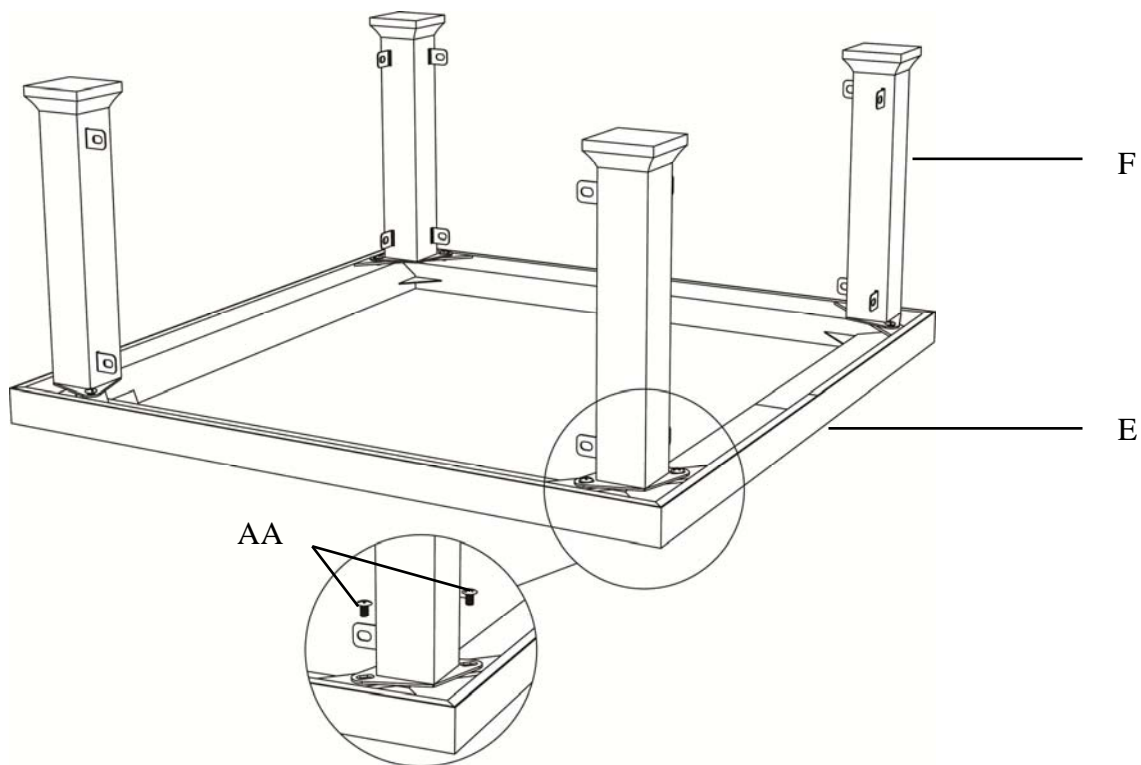
HARDWARE LIST

No.	Hardware	Qty
AA	M6x10 mm Bolt	24
BB	M6 Nut	1

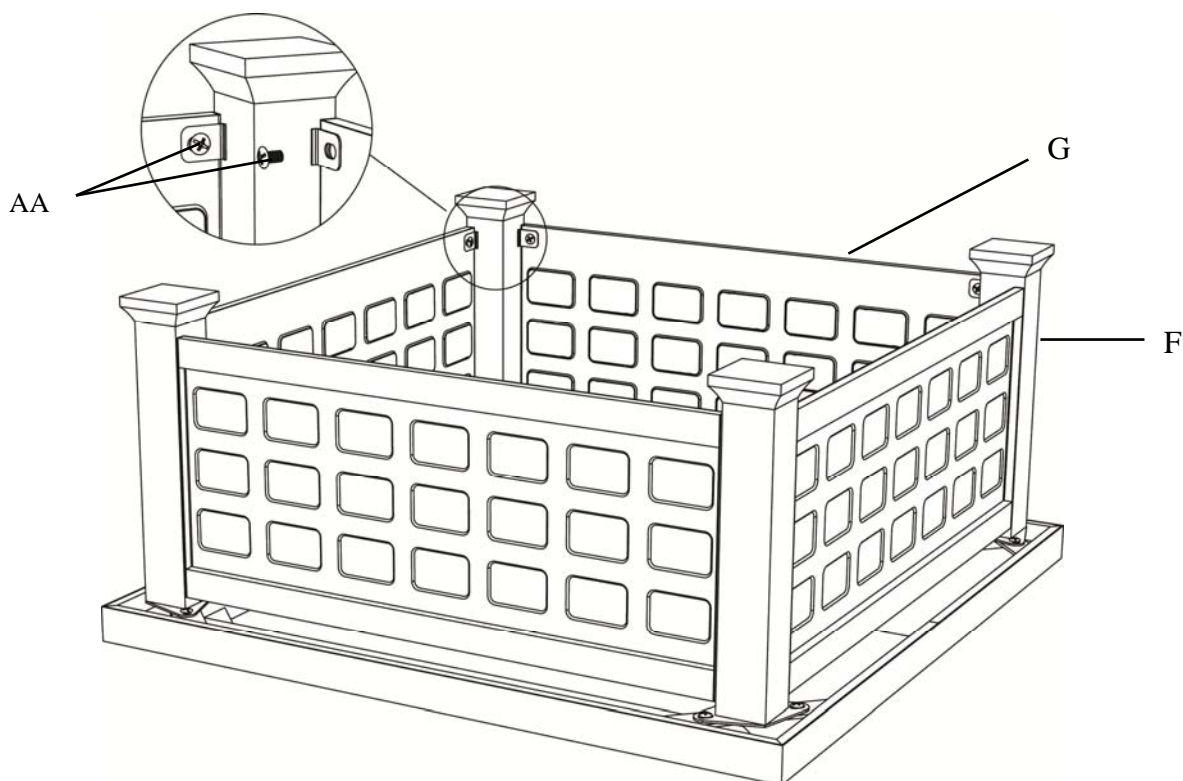


Step By Step Assembly Instructions:

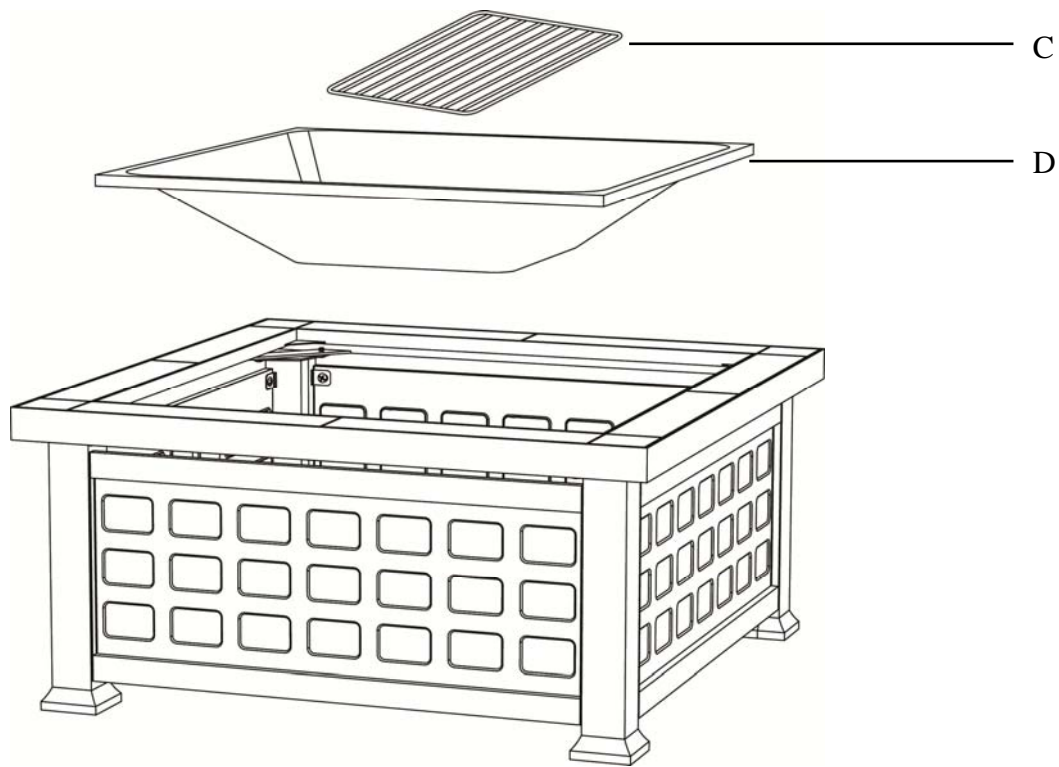
Step 1: Connect Legs (F) to Slate top (E) by using eight M6 x 10 mm bolts (AA). Please DO NOT fully tighten the hardware at this step.



Step 2: Connect Panels (G) to the Legs (F) by using four M6 x 10 mm Bolt (AA) for each panel. Tighten all the hardware after they all at correct place.

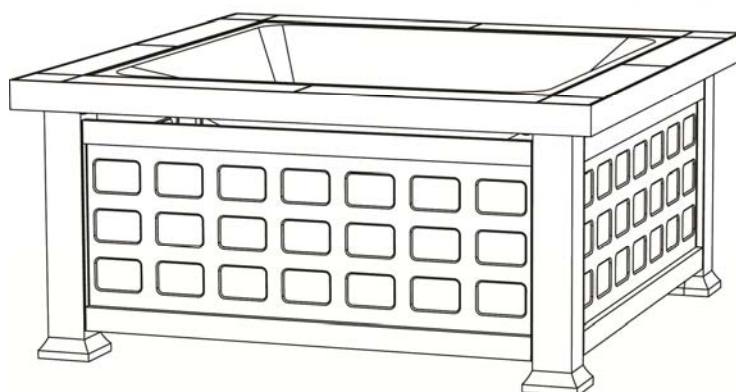
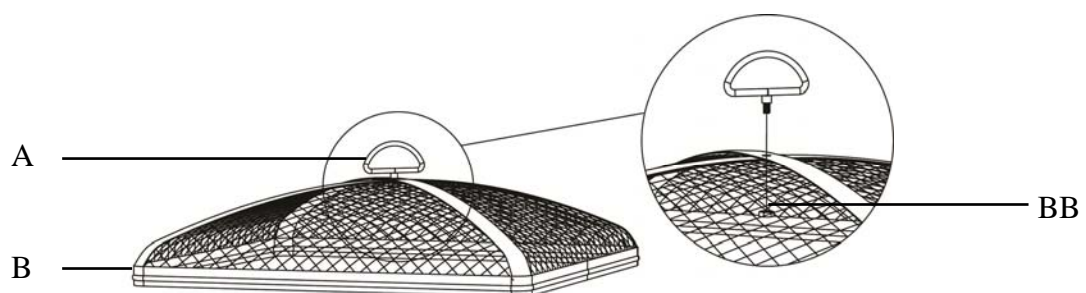


Step 3: Turn over the assembled base, place the Fire bowl (D) into it, place Wood grate (C) into the Fire bowl (D) .



Step 4: Attach Handle (A) into the hole of Mesh cover (B) by using one M6 Nut (BB), place the Mesh Cover (B) into the fire bowl.

Now the fire pit is ready for use. Keep Poker (H) nearby for use anytime. The Poker (H) could help to raise the bowl and lift mesh cover.



Operating Instruction:

WARNING: Before using this outdoor firepit, make sure you have read, understand and are following all information provided in the important Safeguards presented on page 1. Failure to Follow those instructions can cause death, serious injury or property damage.

Extinguishing:

- Allow fire to burn out.
- Do NOT use water to extinguish as this is dangerous and can cause damage to the fire pit.

Care and Cleaning:

- Do not attempt to clean the fire pit until the fire is completely out and cooled.
- Use a soft cloth to wipe the fire pit and poker.
- Do not attempt to clean while hot.

Storage:

- Do not attempt to move the fire pit while it is hot or in use.
- Store assembled in a cool, dry location away from children and pets.
- Keep the fire pit covered when cooled and not in use.

Warning :

FUELS USED IN WOOD OR CHARCOAL BURNING APPLIANCES, AND THE PRODUCTS OF COMBUSTION OF SUCH FUELS, CAN EXPOSE YOU TO CHEMICALS INCLUDING CARBON BLACK, WHICH IS KNOWN TO THE STATE OF CALIFORNIA TO CAUSE CANCER, AND CARBON MONOXIDE, WHICH IS KNOWN TO THE STATE OF CALIFORNIA TO CAUSE BIRTH DEFECTS OR OTHER PRODUCTIVE HARM.

For more information go to: www.P65Warnings.ca.gov.