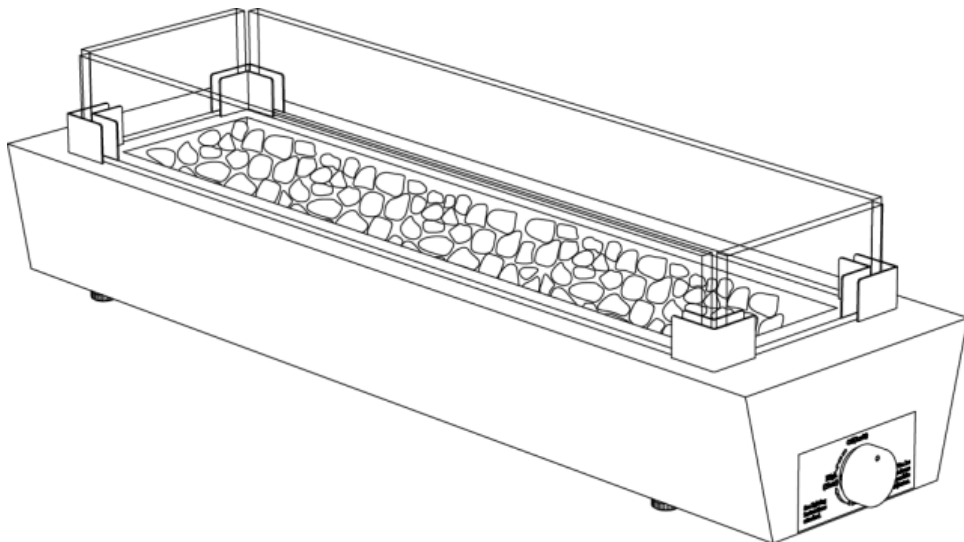




Assembly Instructions

SKU# 258745

Product name : 24" Tabletop Fire Pit (GFT-30149)



Danger and Warnings

DANGER

If you smell gas:

- Shut off gas to the appliance.
- Extinguish any open flame.
- If odor continues, keep away from the appliance and immediately call your gas supplier or fire department.

DANGER

CARBON MONOXIDE HAZARD. This appliance can produce carbon monoxide, which has no odor. Using it in an enclosed space can cause injury or death. Never use this appliance in an enclosed space such as a camper, tent or building.



WARNING

FOR YOUR SAFETY:

If the information in this manual is not followed exactly, a fire or explosion may result causing property damage, personal injury or loss of life.

WHAT TO DO IF YOU SMELL GAS:

Do Not try lighting any appliance.

Do Not touch any electrical switch; do NOT use any phone in your building.

Immediately call your gas supplier from a neighbor's phone.

Follow the gas supplier's instructions.

If you cannot reach your gas supplier, call the fire department.

Installation and service must be performed by a qualified installer, service agency or gas supplier.

Save these instructions for future reference.

If you are assembling this unit for someone else, give this manual to him or her to read and save for future reference.

Table with Standard 1.1in. Umbrella Opening Required

WARNING

FOR YOUR SAFETY:

For Outdoor Use Only.

Do Not Use For Cooking.

WARNING

Do not store or use gasoline, or other flammable vapors and liquids, in the vicinity of this or any other appliance. An LP-cylinder not connected for use shall not be stored in the vicinity of this or any other appliance.

WARNING

Improper installation, adjustment, alteration, service or maintenance can cause injury or property damage. Read this installation, operating, and maintenance instructions thoroughly before installing or servicing this equipment.

WARNING:

FUELS USED IN LIQUEFIED PROPANE GAS APPLIANCES, AND THE PRODUCTS OF COMBUSTION OF SUCH FUELS, CAN EXPOSE YOU TO CHEMICALS INCLUDING BENZENE, WHICH IS KNOWN TO THE STATE OF CALIFORNIA TO CAUSE CANCER AND CAUSE BIRTH DEFECTS OR OTHER REPRODUCTIVE HARM. For more information go to:
www.P65Warnings.ca.gov

Danger and Warnings

DANGER: Failure to follow the dangers, warnings and cautions in this manual may result in serious bodily injury or death, or in a fire or an explosion causing damage to property.

WARNINGS:

This appliance is for outdoor use only, and should NOT be used in a building, garage or any other enclosed area.

Do NOT operate, light or use this appliance within ten feet (3.05m) of walls, structures or buildings.

For residential use only. This outdoor fireplace is NOT for commercial use.

Do NOT use this outdoor fireplace for indoor heating, TOXIC carbon monoxide fumes can accumulate and cause asphyxiation.

This outdoor fireplace is safety certified for use in the United States and/or Canada only. Do NOT modify for use in any other location. Modification will result in a safety hazard and will void your warranty.

Apartment dwellers: Check with management to learn the requirements and fire codes for using a liquid propane (LP) gas outdoor fireplace in your apartment complex. If allowed, use outside on the ground floor with a ten feet (3.05m) clearance from any structure. Do NOT use on or under balconies.

This outdoor fireplace, from the factory, is for use with LP gas only. The conversion to or attempted use of natural gas in this outdoor fireplace is dangerous, may cause bodily harm and will void your warranty.

Always use this outdoor fireplace on a hard, level, non-combustible table such as concrete, rock/stone or metal. NEVER use on a wood or composite table.

NEVER use a table cloth or other table covering when using the outdoor fireplace.

LP gas characteristics:

- a. LP gas is flammable and hazardous if handled improperly. Become aware of the characteristics before using any LP gas product.
- b. LP gas is explosive under pressure, heavier than air, and settles/pools in low areas.
- c. LP gas in its natural state has no odor. For your safety, an odorant is added that smells like rotten cabbage.
- d. Contact with LP gas can cause freeze burns to skin. LP gas tank need to operate. Only tank marked "propane" may be used.
- a. The LP gas cylinder must be constructed and marked in accordance with the U.S. Department of Transportation (D.O.T) Specifications for LP-Gas Cylinders, or the Standard for Cylinders, Spheres and Tubes for the Transportation of Dangerous Goods and Commission, CAN/CSA-B339 as applicable.
- b. LP gas tank must be arranged for vapor withdrawal.
- c. Never use an LP gas tank with a damaged body, valve, collar or footing.
- d. Dented or rusted LP gas tanks may be hazardous and should be checked by your LP gas supplier prior to use.
- e. The LP gas tank should not be dropped or handled roughly.
- f. Tanks must be stored outdoors, out of the reach of children and must not be stored in a building, garage or any other enclosed area. Your LP gas tank must never be stored where temperatures can reach over 125F.

- g. Do not insert any tool or foreign object into the valve outlet or safety relief valve. You may damage the valve and cause a leak. Leaking propane may result in explosion, fire, severe personal injury or death.
- h. Never keep an LP gas tank in a hot car or truck. Heat will cause the gas pressure to increase, which may open the relief valve and allow gas to escape.
- i. Do NOT store a spare LP gas tank under or near this appliance.
- j. A fire causing serious injury or damage to property may occur if the above is not followed exactly.

Your outdoor fireplace has been checked at all factory connections for leaks. Recheck all connections as described in the "Operating Instructions" section, as shipping can loosen connections.

Check for leaks even if you unit was assembled for you by someone else.

Do NOT operate if a gas leak is present. Gas leaks may cause a fire or explosion.

You must follow all instructions in the "Checking for Leaks" section before operating. To prevent a fire or explosion when testing for a leak:

- a. Always perform a leak test before lighting this outdoor fireplace and each time the tank is connected for use.
- b. No smoking. Do Not use or permit sources of ignition in the area while conducting a leak test.
- c. Conduct the leak test outdoors in a well-ventilated area.
- d. Do NOT use matches, lighters or a flame to check for leaks.
- e. The use of alcohol, prescription or non-prescription drugs may impair the consumer's ability to properly assemble or safety operate the appliance.
- f. Strong odors, colds, sinus congestion, etc. may prevent the detection of propane. Use caution and common sense when testing for leaks.
- g. Do NOT use this outdoor fireplace until any and all leaks are corrected.
- h. If you are unable to stop a leak, disconnect the LP gas supply. Call a gas appliance serviceman or your local LP gas supplier.

Do NOT store or use gasoline or other flammable liquids or vapors with 25 feet (7.62m) of this appliance.

Do Not use in an explosive atmosphere. Keep outdoor fireplace area clear and free from combustible materials, gasoline and other flammable vapors and liquids.

This outdoor fireplace is NOT to be operated by children.

This outdoor fireplace is NOT to be used in or on boats or recreational vehicles.

Do NOT connect to a remote gas supply.

Danger and Warnings

Never attempt to attach this outdoor fireplace to the self-contained LP gas system of a camper trailer, motor home or house.

Always use in accordance with all applicable local, state and national codes. Contact your local fire department for details on outdoor burning.

When using this outdoor fireplace, exercise the same precautions you would with any open fire.

Do NOT use this outdoor fireplace without reading the entire Owner's Manual.

Do NOT burn solid fuels such as : wood, charcoal briquettes, lump charcoal, manufactured logs, driftwood, trash, leaves, paper, cardboard, plywood, painted/stained/pressure treated wood in this outdoor fireplace.

It is essential to keep the outdoor fireplace's valve compartment, burners, and circulating air passages clean. Inspect outdoor fireplace before each use.

Do NOT use this outdoor fireplace until it is COMPLETELY assembled and all parts are securely fastened and tightened.

Do NOT use this outdoor fireplace near automobiles, trucks, vans or recreational vehicles.

Do NOT use this outdoor fireplace under any overhang or near any unprotected combustible constructions. Avoid using near or under overhanging trees and shrubs.

Do NOT use this outdoor fireplace for cooking.

Do NOT use this appliance if any part has been under water.

Immediately call a qualified service technician to inspect the appliance and to replace any part or control system and any gas control which has been under water.

Do NOT wear flammable or loose clothing when operating this outdoor fireplace.

Do NOT use in windy conditions.

Never lean over this outdoor fireplace when lighting or when in use.

Do NOT use this outdoor fireplace unless burner is securely in place.

Keep all electrical cords away from this outdoor fireplace during use.

Certain areas of this outdoor fireplace when in use will become too hot to touch. To avoid burns, do NOT touch hot surfaces until the unit has completely cooled (about 45minutes), unless you are wearing protective gear (such as insulated pot holders or heat-resistant gloves/ mittens).

Do NOT leave a lit outdoor fireplace unattended, especially around children and pets.

Children and adults should be alerted to the hazards of high surface temperatures and should stay away to avoid burns or clothing ignition.

Young children should be carefully supervised when they are in the area of the appliance.

Do NOT hang or place clothing or other flammable material on or near this appliance.

Any guard or other protective device removed for servicing the appliance must be replaced prior to operating the appliance.

If applicable, protective cover must be removed when burner is in operation.

Do NOT attempt to move outdoor fireplace when in use. Allow the outdoor fireplace to cool before moving or storing.

This outdoor fireplace should be thoroughly cleaned and inspected on a regular basis. Inspect the burner before each use of the appliance. If there is evidence of burner damage, the burner must be replaced prior to the appliance being operated.

This outdoor fireplace should be inspected at least annually by a qualified service person. Depending on amount of use, more frequent cleaning may be required. Do NOT operate until all parts have been repaired or replaced.

Use only the regulator assembly provided.

Use only the burner provided.

Do NOT operate this appliance without reading "Operating Instructions" in this manual.

Storage of this outdoor fireplace indoors is permissible only if the tank is disconnected, removed from the outdoor fireplace and properly stored outdoors.

Do NOT attempt to disconnect the gas regulator from the tank or any gas fitting while the outdoor fireplace is in use.

The cylinder must be disconnected when the appliance is not in use.

The pressure regulator is set for 11 inches of water column.

The maximum inlet gas pressure for this outdoor fireplace is 11 inches of water column.

Before pressure testing, close LP gas tank valve and disconnect gas regulator. The gas supply piping system must test at pressures equal to or less than ½ psi (3.5kPa).

Do NOT throw anything onto the fire when the unit is in operation.

Fire logs glass and lava rock are very hot. Keep children or pets at a safe distance from this appliance.

Do Not store any combustible materials in the base enclosure.

Use protective gloves when assembling this product.

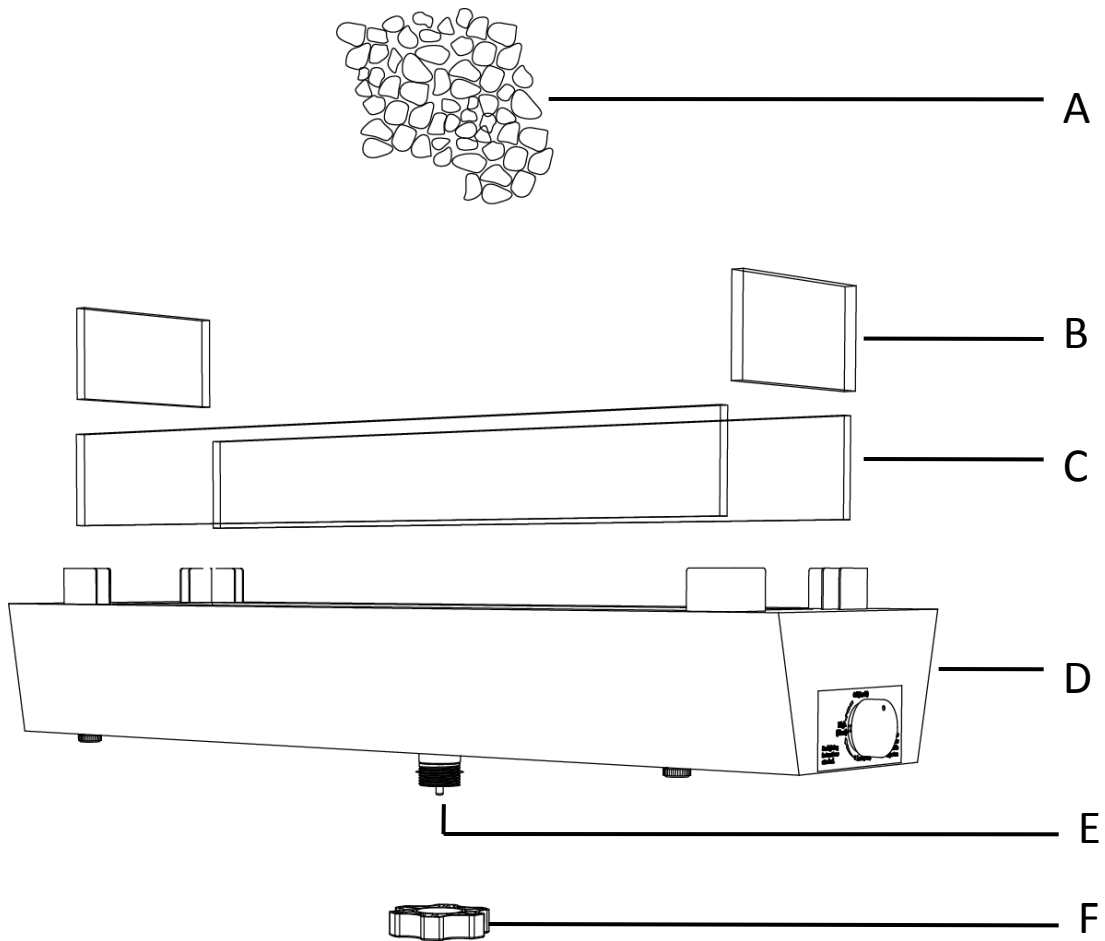
Do NOT force parts together as this can result in personal injury or damage to the product.

Death, serious injury or damage to property may occur if the above is not followed exactly.

TABLE OF CONTENTS

Danger and warning.....	2
Table of contents.....	4
Tools and parts.....	5
Assembly.....	6
Operating instruction.....	7
Maintenance and storage... ..	9
Trouble shooting.....	10
Warranty information.....	11

Parts List



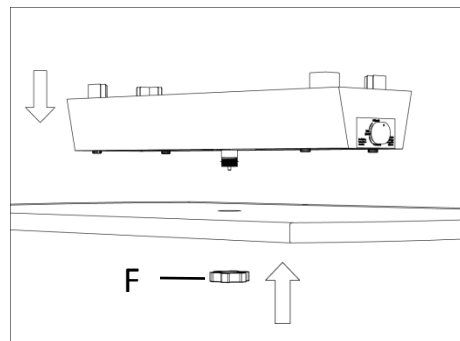
Part	Description	Quantity
A	Glass rock	1
B	Short glass	2
C	Long glass	2
D	Base	1
E	Regulator	1
F	Base nut	1

Assembly

Step 1:

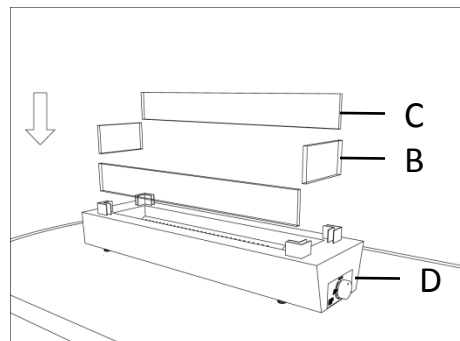
Take protective cap off, place outdoor fireplace directly over the umbrella opening on your table. Secure with base nut (F) from underside. Fully tighten.

CAUTION: Wear gloves during assembly.



Step 2:

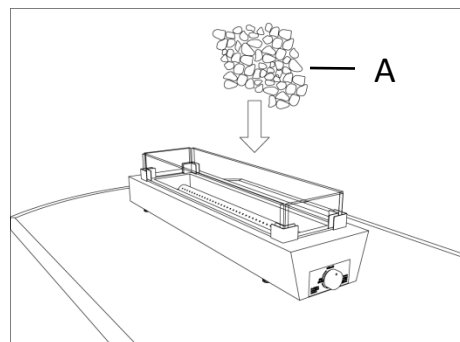
Insert the short glass (B) and long glass (C) to the base (D).



Step 3:

Place the glass rock (A) into the base. Leave small area to see burner.

CAUTION: Do NOT dump glass rock out of package.



Operation

Burner connections

1. Make sure the valve connections are securely fastened to the burner and the tank.
2. Visually check the connection between the burner / venturi tube and orifice.
3. Make sure the burner/ venturi tube fit over the orifice.
4. Please refer to diagram for proper installation (Figures 1 and 2). 5. If the burner/venturi tube does not rest flush to the orifice, as shown, please contact 1-855-600-9294 for assistance.

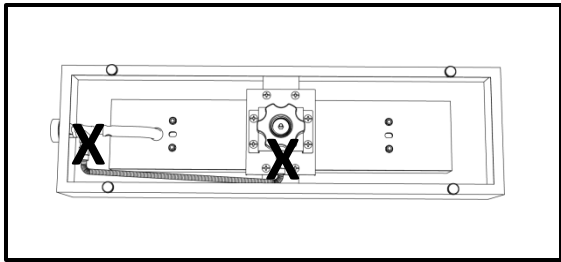


Figure 1

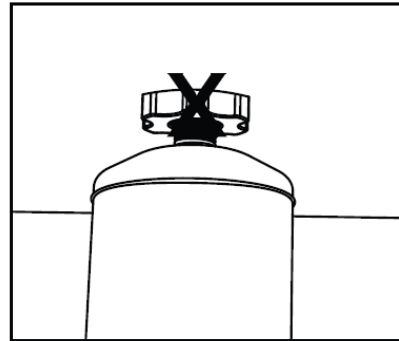


Figure 2

Tank/Gas Line Connection

1. Make 2-3 oz. of leak detection solution by mixing one part liquid dishwashing soap with three parts water.
2. Make sure regulator/control knob is in the "OFF" position (Figure 3).
3. Apply the leak detection check solution on all "X" location (Figure 1 and 2)
 - a. If any bubbles appear, remove the LP gas tank and reconnect, making sure the connection is secure.
 - b. If you continue to see bubbles after several attempts, remove the LP gas tank per "Disconnecting LP Gas Tank" section, and contact 1-855-600-9294 for assistance.
 - c. If no bubbles appear after one minute, turn regulator/ control knob to the "OFF" position, wipe away solution and proceed.

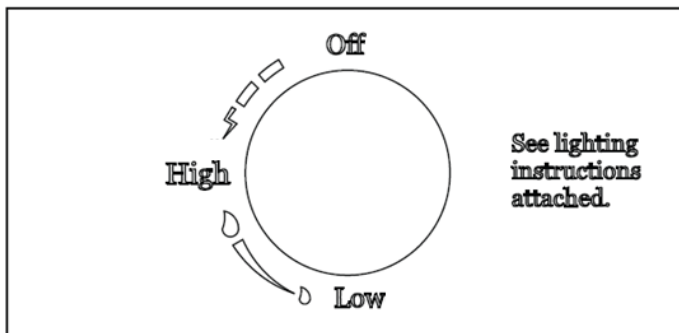


Figure 3

Operation

CAUTION: Keep outdoor gas appliance area clear and free from combustible materials, gasoline and other flammable vapors and liquids.

CAUTION: Do NOT obstruct the flow of combustion and ventilation air.

CAUTION: Check and clean burner/venturi tubes for insects and insect nests. A clogged tube can lead to a fire.

LIGHTING

1. Make sure all labels, packaging and protective films have been removed from the outdoor fireplace.
2. Check for obstructions of airflow to the burner. Spiders, insects and webs can clog the burner/venturi tube. A clogged burner tube can lead to a fire.
3. Control knob must be in the “OFF” position (Figure 3).
4. Clear small area of glass rocks away from the igniter cover (Figure 4).
5. Connect LP gas tank per “Assembling the LP Gas Tank” section.
6. Wearing heat-resistant gloves, position a long lit match or long lit butane lighter near the burner.
7. Turn the control knob to HIGH.
8. After 10 seconds, release and turn control knob counterclockwise to adjust flame to desired height.
9. Remove match/ lighter once burner is lit.
10. If ignition does not occur in 5 seconds, turn burner control knob to OFF, wait 5 minutes, fan with a newspaper or magazine, and repeat lighting procedure.
11. After lighting, observe the burner flame. Make sure all burner ports are lit and flame height matches illustration (Figure 5).

CAUTION: After lighting-using a fireplace tool and heat-resistant gloves, carefully move the glass rocks back to their proper position, being careful to avoid the flame.

CAUTION: After lighting-using a fireplace tool and heat-resistant gloves, carefully move the glass rocks back to their proper position, being careful to avoid the flame.

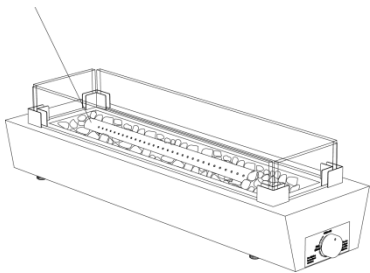


Figure 4

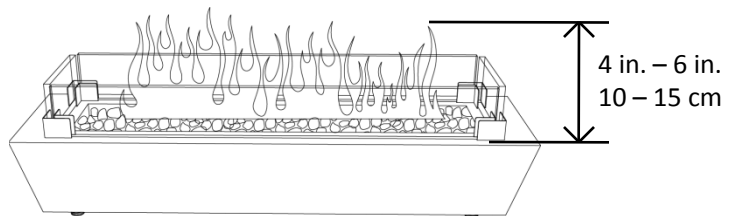


Figure 5

TURNING OFF

1. Turn control knob to the “OFF” position. Note: A “poof” sound is normal as the last of the LP gas is burned.
2. Disconnect LP gas tank per “Disconnecting LP Gas Tank” section.

Maintenance and storage

CAUTION: All cleaning and maintenance should be done when outdoor fireplace is cool and with the fuel supply disconnected.

CAUTION: Do NOT clean any outdoor fireplace part in a self-cleaning oven.

CAUTION: Do NOT enlarge valve orifices or burner ports when cleaning the valves or burners.

Notice:

1. This outdoor fireplace should be thoroughly cleaned and inspected on a regular basis.
2. Abrasive cleaners will damage this product
3. Never use oven cleaner to clean any part of this outdoor fireplace.

Before each use:

1. Keep the outdoor fireplace area clear and free from any combustible materials, gasoline, and other flammable vapors and liquids.
2. Do NOT obstruct the flow of the combustion of LP gas and the ventilation of air.
3. Keep the ventilation opening(s) of the LP gas tank area free and clear from debris.
4. See below for proper cleaning instructions.
5. Check all gas connections for leaks.
6. Check components for any signs of damage or rust.
7. Check for obstructions of airflow to the burner. Spiders, insects and webs can clog the burner/venturi tube. A clogged burner/venturi tube can lead to a fire.
8. If damage to any component is detected, do NOT operate until repairs are completed. Cleaning surfaces

Cleaning surfaces

1. Wipe surfaces clean with mild dishwashing detergent or baking soda mixed with water.
2. For stubborn stains, use a citrus-based cleaner and a nylon scrubbing brush.
3. Rinse clean with water.
4. Allow to air dry.

Before storing

1. Turn control knob to the "OFF" position.
2. Disconnect LP gas tank per "Disconnecting LP gas tank" section.
3. Clean all surfaces.
4. Lightly coat the burner with cooking oil to prevent excess rusting.
5. If storing the outdoor fireplace indoors, cover the outdoor fireplace and store in a cool dry location away from children and pets.
6. If storing the outdoor fireplace outdoors, cover the outdoor fireplace with a cover for protection from the weather.

Troubleshooting

PROBLEM	PROBLEM CAUSE	SOLUTION
Burner will not light with match.	No gas flow.	Check if LP gas tank is empty A. If empty replace B. If LP gas tank is not empty, refer to “ sudden drop in gas flow or reduced flame height.
	LP gas tank is low or empty	Replace LP gas tank.
	LP gas leak	<ol style="list-style-type: none"> 1. Turn LP gas tank valve to “closed”. 2. Wait 5 minutes for gas to clear. 3. Follow “Checking for Leaks” section.
	Coupling nut and regulator not fully connected.	Turn the coupling nut about one-half to three-quarter additional turn until solid stop. Tighten by hand only- do NOT use tools.
	Obstruction of gas flow	Clean burner/venturi tube.
	Spider webs or insect nest in venturi.	Clean burner/venturi tube.
	Burner ports clogged or blocked	Clean burner/venturi tube.
Sudden drop in gas flow or reduced flame height.	Out of gas	Replace LP gas tank.
	Excess flow valve tripped; safety device may have been activated.	<ol style="list-style-type: none"> 1. Turn control knob to “OFF”. 2. Wait 30 seconds and light outdoor fireplace per “Lighting” section. 3. If flames are still too low, reset the overfilling prevention device: <ol style="list-style-type: none"> a, Turn control knob “OFF” b, Remove LP gas tank c, Wait one minute d, Attach LP gas tank e, Perform a leak check per “Checking for Leaks” section f, Light outdoor fireplace per “ Lighting” section
Irregular flame pattern, flame does not run the full burner	Burner ports are clogged or blocked.	Clean burner ports.
Flame is yellow or orange.	New burner may have residual manufacturing oils. Spider dirty or clogged. There are spider webs or other matter in venturi tube. The propane regulator is in a “low flow” state.	Burn outdoor fireplace for 15 minutes and reinspect. Reposition the supply hose as necessary. Clean the burner orifice. Clean out the venturi tube. Ensure the lighting procedure is followed carefully. All valves must be in the off position when the tank valve is turned on. Turn tank on slowly to allow pressure to equalize. See the Lighting Instructions in the Operating section.

Warranty

6 Month Limited Warranty:

This product is warranted for 6 months against any defects in material and workmanship. Normal wear or damage due to to abuse, mishandling or unauthorized repairs are not covered. This warranty does not apply to accessories. This warranty gives you specific legal rights which vary from state to state. For all warranty claims, contact Customer Care: 855-600-9294 (8:00am to 8:00pm EST) or by email:customercare@china-yayi.com.

GARANTÍA LIMITADA DE 6 meses

Este producto tiene una garantía de 6 meses contra cualquier defecto en materiales y mano de obra. El desgaste normal o los daños debidos a abuso, mal manejo o reparaciones no autorizadas no están cubiertos. Esta garantía no se aplica a los accesorios. Esta garantía le otorga derechos legales específicos que varían de estado a estado. Para todas las reclamaciones de garantía, comuníquese con Atención al Cliente: 855-600-9294 (de 8:00 am a 8:00 pm EST) o por correo electrónico: customercare@china-yayi.com.

6 MONTHS LIMITED WARRANTY

Manufactured for and distributed
by True Value Company
Chicago, IL 60631-3505
©2019 True Value Company

Fabricado para y distribuido por
la empresa True Value® Company
Chicago, IL 60631-3505
©2019 True Value Company

Four Seasons Courtyard™
is a trademark of the
True Value Company
Made in China

Four Seasons Courtyard®
es una marca comercial de True
Value Company
Hecho en China